

Catalog No. 469-78

Parts Catalog of
No. 469
AUTOMATIC
FEED

—
Eyeletting
Machine

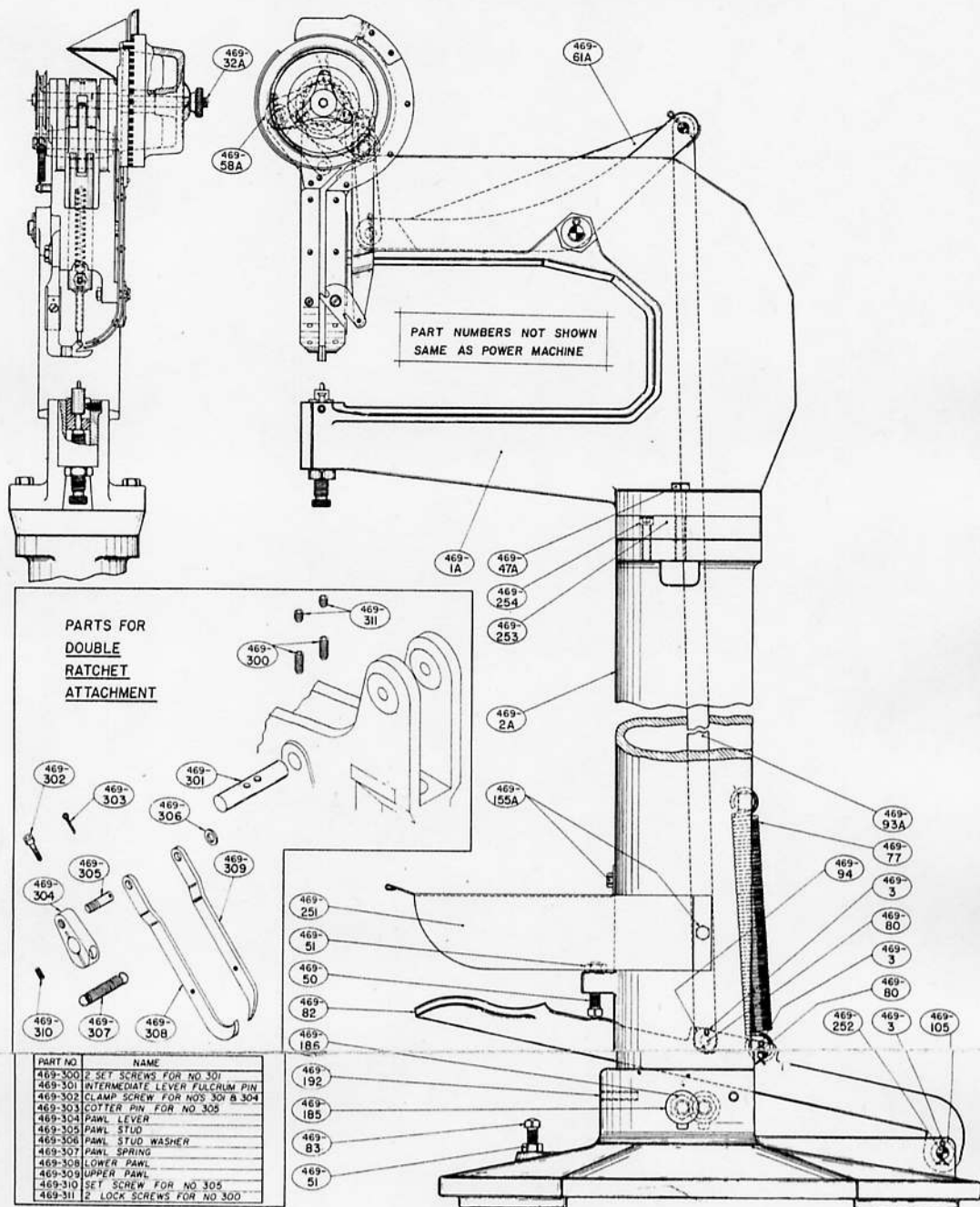
Foot Power
Electric
Pneumatic

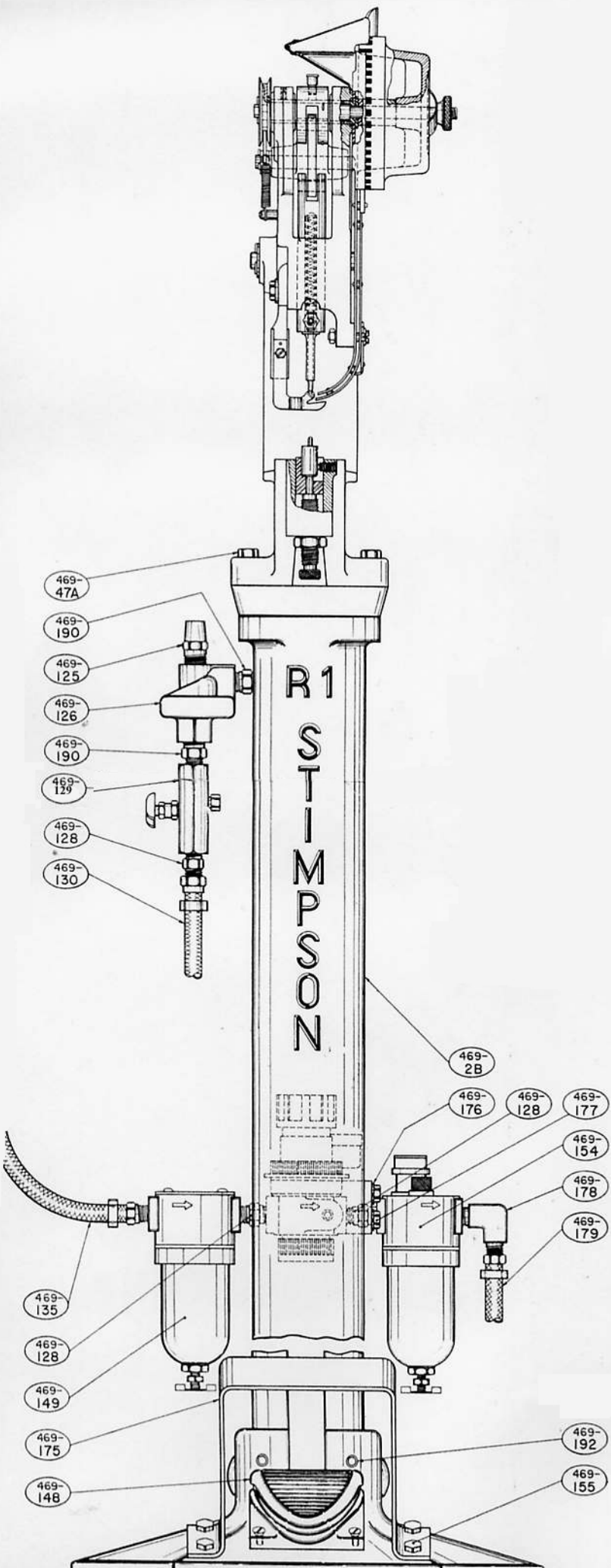


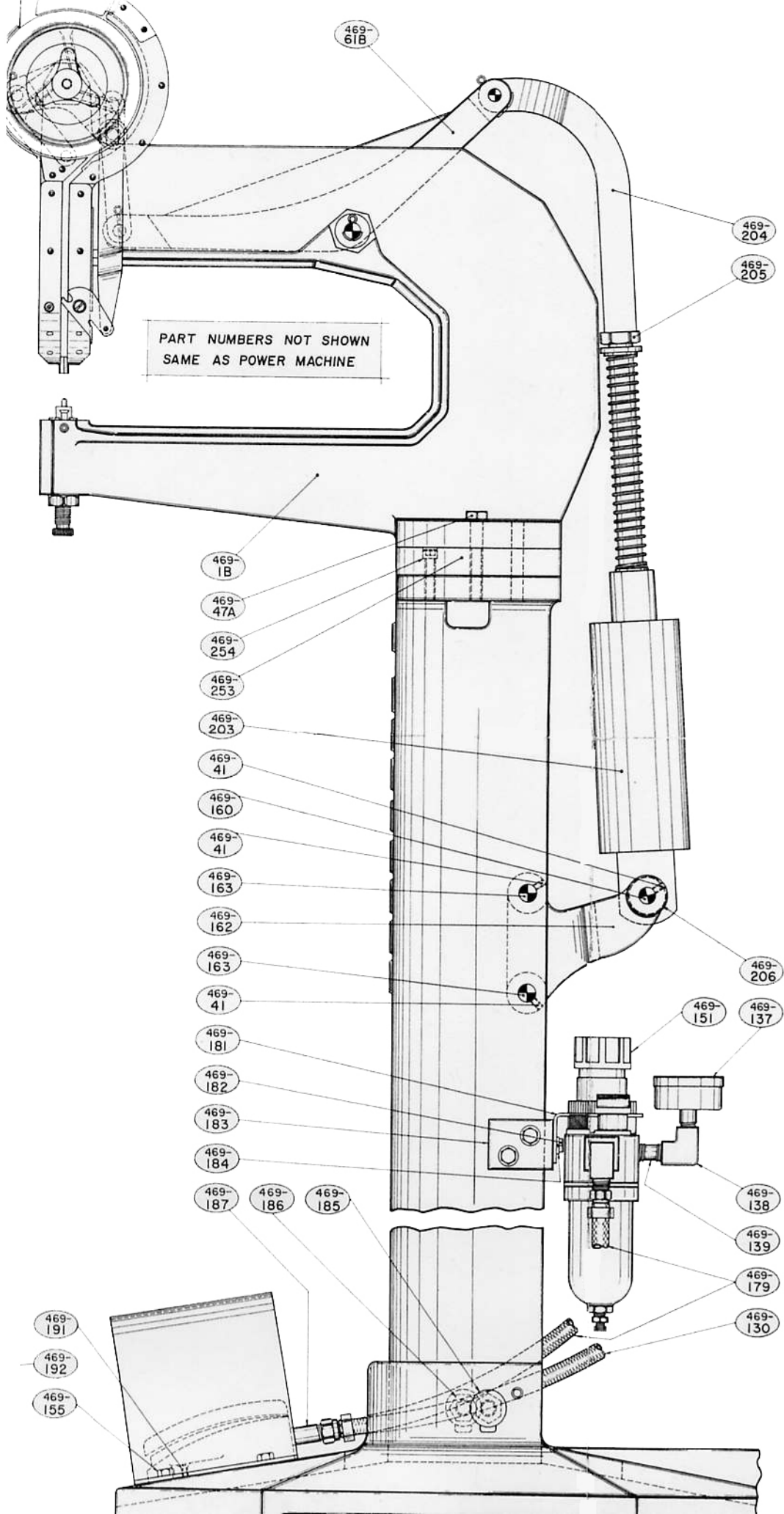
Stimpson
Co. Inc.



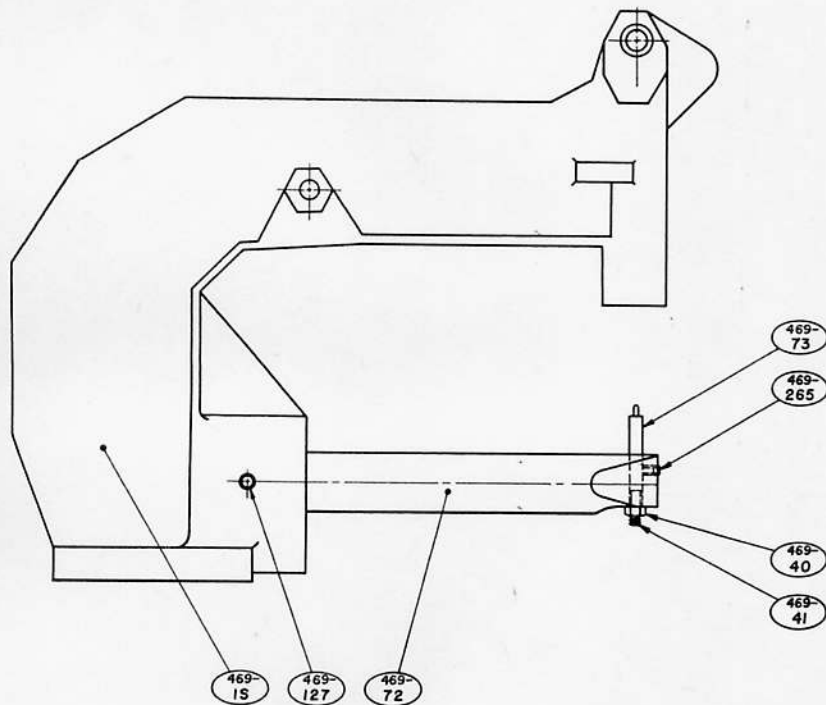
No. 469 FOOT POWER MACHINE



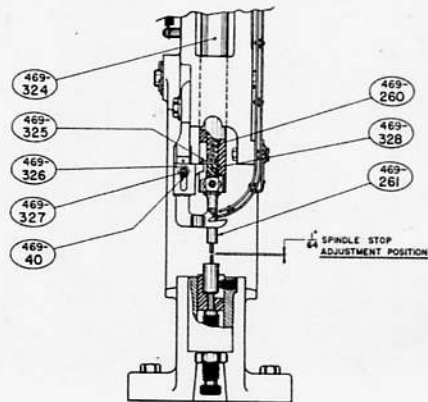




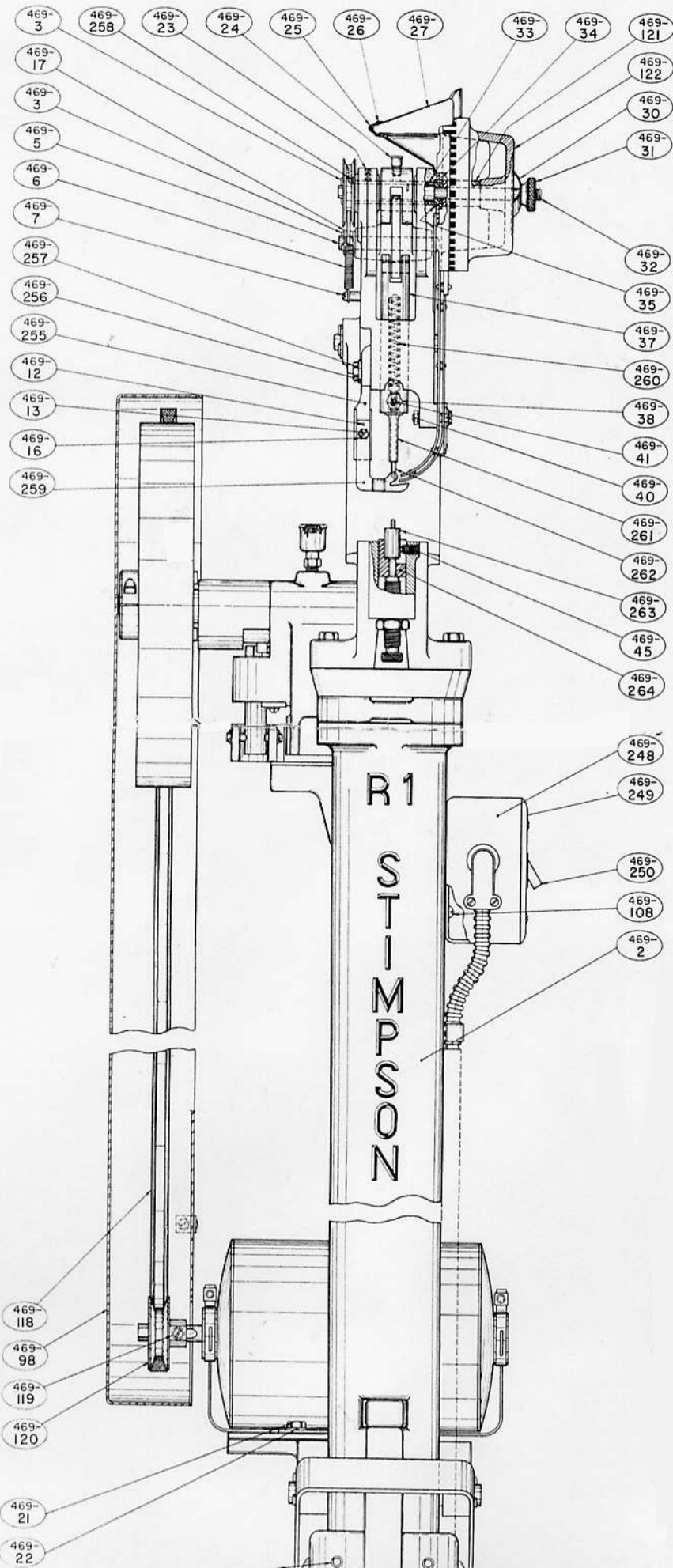
PARTS FOR NO.469 STEEL ARM AND HEAD

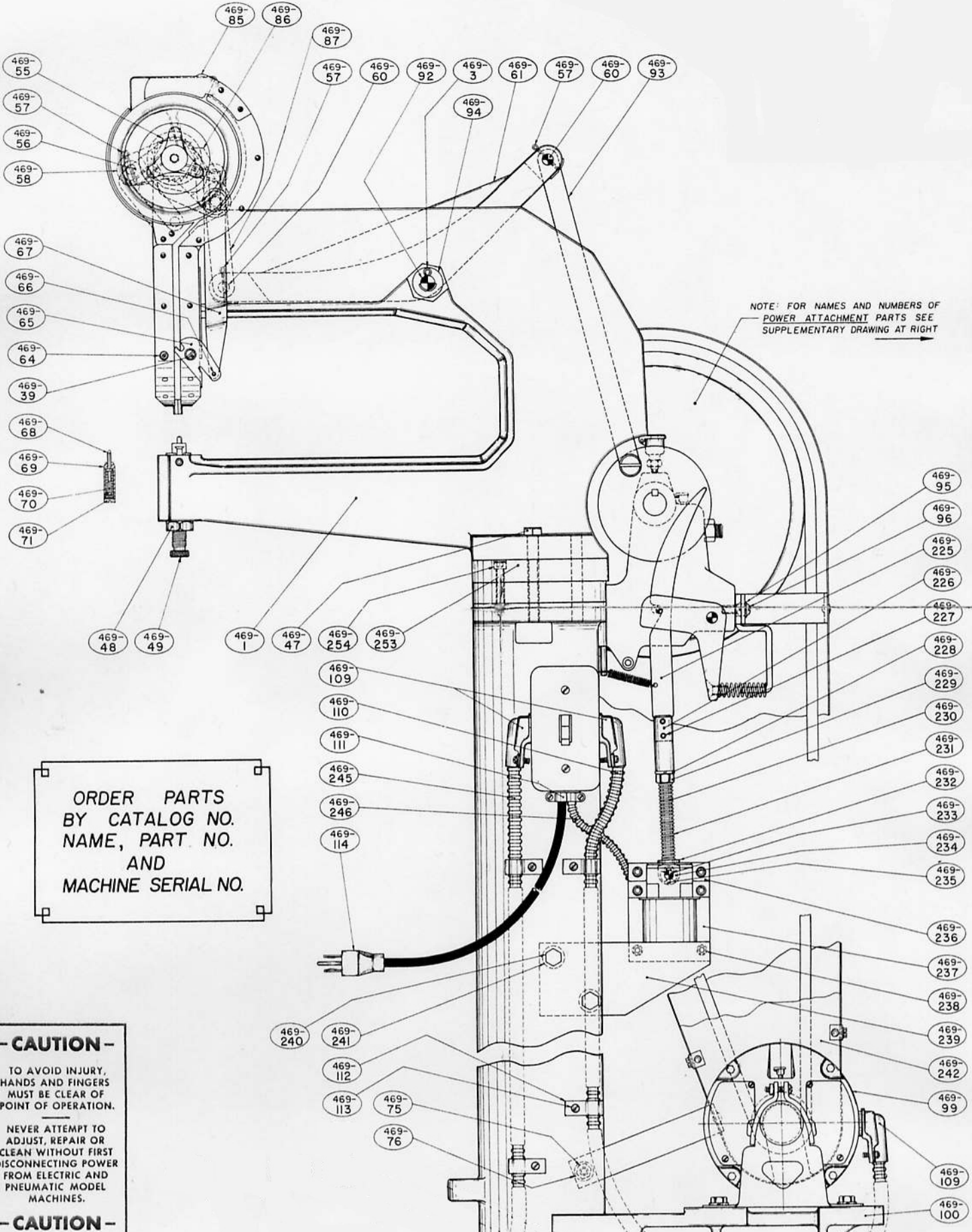


PARTS FOR SPINDLE STOP ATTACHMENT USED ON SOME 469 MACHINES



PART NUMBERS NOT SHOWN
SAME AS POWER MACHINE





NOTE: FOR NAMES AND NUMBERS OF
POWER ATTACHMENT PARTS SEE
SUPPLEMENTARY DRAWING AT RIGHT

ORDER PARTS
BY CATALOG NO.
NAME, PART NO.
AND
MACHINE SERIAL NO.

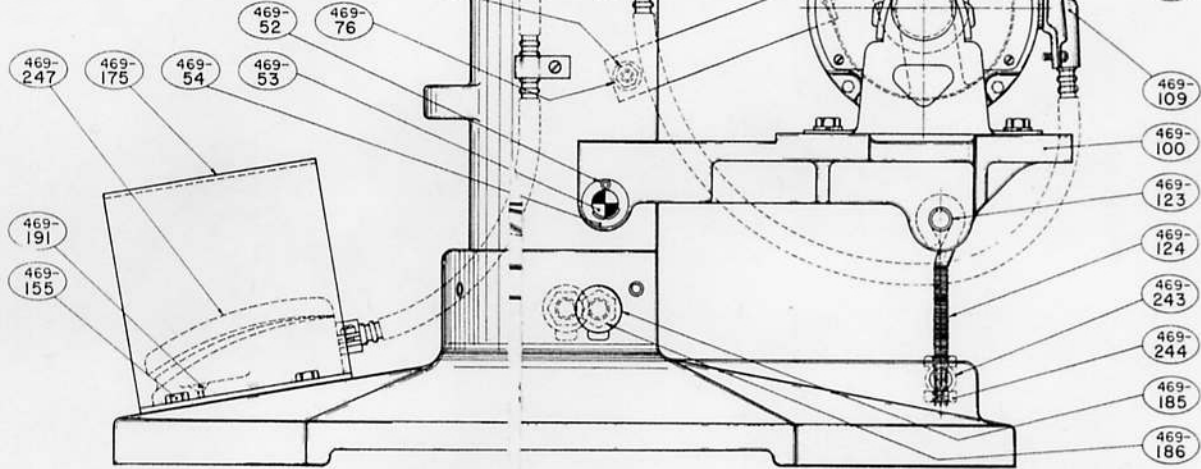
- CAUTION -

TO AVOID INJURY,
HANDS AND FINGERS
MUST BE CLEAR OF
POINT OF OPERATION.

NEVER ATTEMPT TO
ADJUST, REPAIR OR
CLEAN WITHOUT FIRST
DISCONNECTING POWER
FROM ELECTRIC AND
PNEUMATIC MODEL
MACHINES.

- CAUTION -

- 469-55
- 469-57
- 469-56
- 469-58
- 469-67
- 469-66
- 469-65
- 469-64
- 469-39
- 469-68
- 469-69
- 469-70
- 469-71
- 469-85
- 469-86
- 469-87
- 469-57
- 469-60
- 469-92
- 469-3
- 469-61
- 469-57
- 469-60
- 469-93
- 469-94
- 469-48
- 469-49
- 469-1
- 469-47
- 469-254
- 469-253
- 469-109
- 469-110
- 469-111
- 469-245
- 469-246
- 469-114
- 469-240
- 469-241
- 469-112
- 469-113
- 469-75
- 469-76
- 469-95
- 469-96
- 469-225
- 469-226
- 469-227
- 469-228
- 469-229
- 469-230
- 469-231
- 469-232
- 469-233
- 469-234
- 469-235
- 469-236
- 469-237
- 469-238
- 469-239
- 469-242
- 469-99
- 469-109
- 469-100

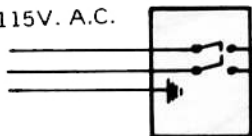


**ELECTRICAL
DIAGRAM
FOR
469 MACHINE**

NAMCO Solenoid KK100B
115V. 60 Hz.

GENERAL ELECTRIC Motor
1/6 HP. 115V. A.C. 60 Hz.
1140 R.P.M.
NEMA 48 Frame

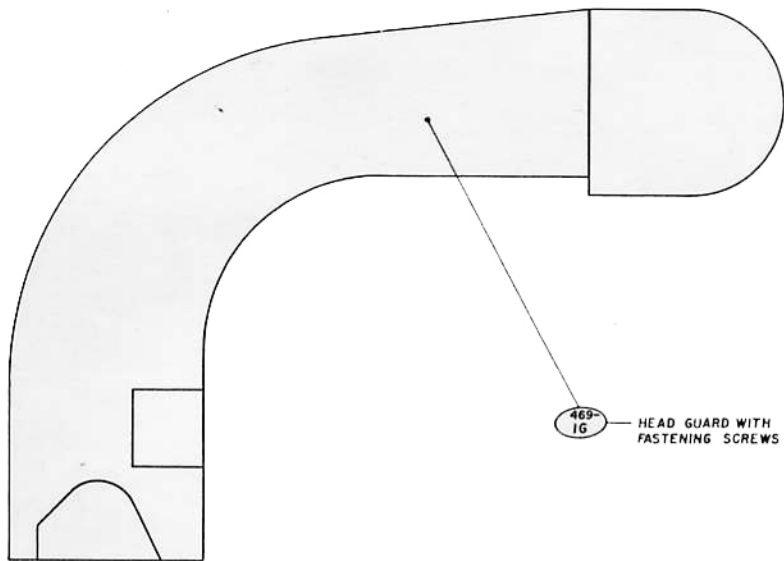
Line 115V. A.C.



LEVITON 54502
DPST Switch
10A-125V

LINEMASTER CLIPPER
Foot Switch 632-S
1 HP. 115/230V. A.C.

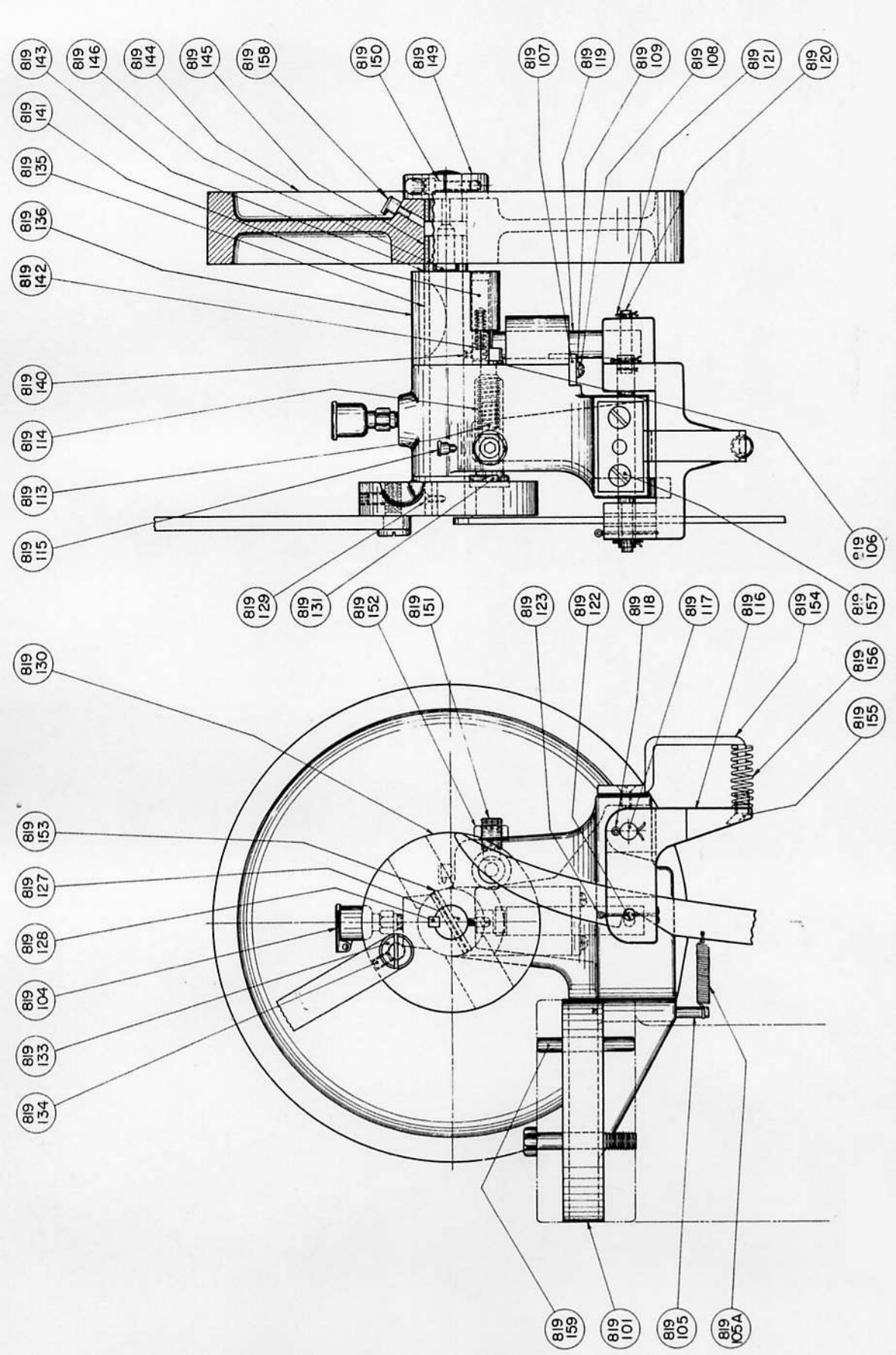
HEAD GUARD FOR ELECTRIC OR PNEUMATIC MACHINE



469-
1G

HEAD GUARD WITH
FASTENING SCREWS





PART NO.	NAME
469-x	HEAD FOR POWER MACHINE
469-1A	HEAD FOR FOOT POWER MACHINE
469-1B	HEAD FOR PNEUMATIC MACHINE
469-1S	HEAD FOR STEEL ARM
469-2	STAND FOR POWER MACHINE
469-2A	STAND FOR FOOT POWER MACHINE
469-2B	STAND FOR PNEUMATIC MACHINE
469-3	COTTER PINS
469-S	PAWL PIN
469-6	PAWL SPRING
469-7	PAWL SPRING STUD
469-12	POCKET SPRING PIN
469-13	POCKET FASTENING SCREW
469-16	LOCKNUT FOR NO. 13
469-17	WASHER FOR NO. 86
469-21	4 MOTOR FASTENING SCREWS
469-22	4 WASHERS FOR NO. 21
469-23	SET SCREW FOR NO. 33
469-24	OIL CUP
469-25	CHUTE COVER HINGE
469-26	4 RIVETS FOR NO. 25
469-27	CHUTE COVER
469-30	BOX SPRING
469-31	BOX NUT '
469-32	BOX STUD FOR POWER & PNEUMATIC MACHINE
469-32A	BOX STUD FOR FOOT/POWER MACHINE
469-33	BOX STUD BEARING
469-34	SPACER FOR NO-S 121 & 85
469-35	SPACER FOR NO'S 1,1B & 85
469-37	PLUNGER UNIT
469-38	LOCKNUT FOR NO. 41
469-39	CUT-OFF SCREW
469-40	NUT FOR NO. 39 & 327
469-41	LOCKSCREW
469-45	BOTTOM SET LOCK SCREW
469-47	2 HEAD FASTENING SCREWS FOR POWER MACHINE
469-47A	2 HEAD FASTENING SCREWS FOR FOOT POWER & PN. MACHINE
469-48	LOCKNUT FOR NO. 49
469-49	BOTTOM SET ADJUSTING SCREW
469-50.	TREADLE ADJUSTING SCREW
469-51	LOCKNUT
469-52	2 COTTER PINS
469-53	PIN FOR NO. 100
469-54	2 WASHERS FOR NO. 53
469-55	RATCHET
469-56	HEAD LEVER PLUNGER LINK PIN

PART NO.	NAME
469-57	COTTER PIN
469-58	HEAD LEVER FOR POWER & PNEUMATIC MACHINE
469-58A	HEAD LEVER FOR FOOT POWER MACHINE
469-60	PIN
469-61	INTERMEDIATE LEVER FOR POWER MACHINE
469-61A	INTERMEDIATE LEVER;FOR FOOT POWER MACHINE
469-61B	INTERMEDIATE LEVER;FOR PNEUMATIC MACHINE
469-64	CARRIER FASTENING SCREW
469-65	CUT-OFF
469-66	CUT-OFF RIVET '

469-67	CUT-OFF LINK
469-68	RECEDING SPINDLE
469-69	RECEDING SPINDLE ANVIL
469-70	RECEDING SPINDLE SPRING
469-71	RECEDING SPINDLE ANVIL SCREW
469-72	STEEL ARM
469-73	SOLID ANVIL
469-75	2 BELT GUARD SCREWS
469-76	2 WASHERS FOR NO. 75
469-77	TREADLE SPRING
469-80	PIN
469-82	TREADLE
469-83	TREADLE STOP SCREW
469-85	BOX CARRIER ROADWAY
469-86	RATCHET PAWL
469-87	INTERMEDIATE LINK
469-92	PIN
469-93	CONNECTING ROD FOR POWER MACHINE
469-93A	CONNECTING ROD FOR NO. 61A & 82
469-94	SPACERS
469-95	WASHER FOR NO. 96
469-96	BELT GUARD FASTENING SCREW
469-98	BELT GUARD
469-99	MOTOR
469-100	MOTOR BRACKET
469-105	SPACERS FOR NO. 82
469-108	2 FASTENING SCREWS FOR NO. 248
469-109	CABLE CONNECTOR
469-110	CABLE FOR NO'S 99 & 250
469-111	CORD CONNECTOR
469-112	4 CABLE CLAMPS
469-113	4 SCREWS FOR NO. 7, 12
469-114	POWER CORD
469-118	BELT
469-119	LOCKSCREW FOR NO. .120
469-120	MOTOR PULLEY

PART NO.	NAME
469-121	BOX SPACER
469-122	BOX
469-123	PIN FOR NO. 124
469-124	EYE BOLT
469-125	MUFFLER
469-126	QUICK EXHAUST VALVE
469-127	PIN FOR NO. 72
469-128	HEXAGON NIPPLE
469-129	FLOW CONTROL VALVE
469-130	CYLINDER HOSE
469-135	SUPPLY HOSE
469-137	PRESSURE REG. GAUGE WITH NO. 151
469-138	ELBOW
469-139	NIPPLE
469-148	FOOT VALVE (PNEUMATIC)
469-149	AIR FILTER
469-151	PRESSURE REGULATOR WITH NO. 137
469-154	AIR LUBRICATOR
469-155	4 SCREWS FOR NO. 175
469-155A	3 SCREWS FOR NO. 251
469-160	PIN FOR NO. 203
469-162	AIR CYLINDER BRACKET
469-163	PIN FOR NO. 162
469-175	GUARD FOR NO. 148 & 247
469-176	2 LOCKWASHERS FOR NO. 177
469-177	2 SCREWS FOR NO. 183
469-178	ELBOW
469-179	HOSE FOR NO'S 148 & 154
469-181	FIL.- REG.- LUB.- GAUGE BRACKET
469-182	2 SCREWS FOR NO. 181
469-183	BRACKET FOR NO. 181
469-184	2 LOCKWASHERS FOR NO. 182
469-185	2 BOLTS FOR NO'S 2, 2A & 2B
469-186	2 LOCKNUTS FOR NO. 185
469-187	2 NIPPLES FOR NO. 148
469-190	HEXAGON NIPPLE
469-191	2 SCREWS WITH LOCKWASHERS FOR NO. 148 & 247
469-192	4 PINS
469-203	AIR CYLINDER
469-204	CYLINDER CONNECTING ROD
469-205	LOCKNUT FOR NO'S 203 & 204
469-206	SPACERS
469-225	TRIP ROD
469-226	SOLENOID CONNECTING ROD
469-227	2 PINS FOR NO'S 225 & 226

PART NO.	NAME
469-229	LOCKNUT FOR NO. 226
469-230	SOLENOID ADJUSTING SCREW
469-231	SOLENOID SPRING
469-232	WASHER FOR NO. 231
469-233	SOLENOID PIN
469-234	RETAINING RING FOR NO. 233
469-235	PIN FOR NO. 233
469-236	SOLENOID COVER
469-237	SOLENOID
469-238	2 SCREWS FOR NO. 237
469-239	SOLENOID BRACKET .
469-240	2 SCREWS FOR NO. 239
469-241	SPACERS

469-242	INBOARD GUARD WITH FASTENING SCREWS
469-243	SWIVEL STUD
469-244	2 LOCKNUTS FOR NO. 124
469-245	CABLE FOR NO. 247
469-246	CABLE FOR NO. 237
469-247	FOOT SWITCH (ELECTRIC)
469-248	SWITCH BOX
469-249	SWITCH COVER
469-250	SWITCH
469-251	FOOT TREADLE GUARD
469-252	PIN FOR NO. 82
469-253	ADAPTER FOR NO'S.1*1A,1B,1S & 2.2A.2B
469-254	2 SCREWS FOR NO. 253
469-255	POCKET HOLDER
469-256	WASHER FOR NO. 257 .
469-257	POCKET HOLDER SCREW
469-258	SPACE WASHER FOR NO'S. 1,1A,1B & 55
469-259	PAIR OF POCKETS
469-260	SPINDLE SPRING
469-261	TOP SET
469-262	TOP SET SPINDLE
469-263	BOTTOM SET
469-264	BOTTOM SET HOLDER
469-265	ANVIL LOCK SCREW
469-324	PLUNGER UNIT FOR NO. 325
469-325	STOP PIN
469-326	SPINDLE STOP
469-327	CLAMPING SCREW FOR NO. 326
469-328	TOP SET SPINDLE FOR NO. 326

PART NO.	NAME
819-101	POWER BRACKET
819-104	OIL CUP
819-105	SPRING STUD
819-105A	SPRING FOR TRIP ROD
819-106	CLUTCH KEY STOP PIN
819-107	GUIDE & STOP PLATE FOR NO.819-119
819-108	2 FASTENING SCREWS FOR NO. 819-107
819-109	2 LOCK WASHERS FOR NO.819-108
819-113	POWER BRACKET PAWL
819-114	SPRING FOR NO.819-113
819-115	OIL CUP
819-116	FORK LEVER
819-117	FULCRUM PIN FOR NO.819-116
819-118	2 COTTER PINS FOR NO.819-117
819-119	CLUTCH FINGER
819-120	CLUTCH FINGER PIN
819-121	2 COTTER PINS FOR NO. 819-120
819-122	TRIP ROD PIN
819-123	COTTER PIN FOR NO.819-122
819-127	MAIN SHAFT
819-128	KEY FOR NO.819-127 & 819-130
819-129	FASTENING SCREW FOR NO.819-128
819-130	POWER DISC
819-131	POWER DISC STOP INSERT
819-133	POWER DISC STUD

819-134	SET SCREW FOR NO.819-133
819-135	WOODRUFF KEY FOR NO'S .819-127 & 819-136
819-136	CLUTCH
819-140	STOP SCREW FOR NO.819-142
819-141	CLUTCH KEY
819-142	CLUTCH KEY SPRING
819-143	SPACE RING
819-144	FLYWHEEL
819-145	2 BUSHINGS FOR NO.819-144
819-146	2 PULLEY PINS
819-149	SPLIT END COLLAR
819-150	LOCK SCREW FOR NO.819-149
819-151	SET SCREW FOR NO.819-113
819-152	LOCK NUT FOR NO.819-151
819-153	PIN FOR NO.819-130
819-154	BRACKET FOR NO.819-156
819-155	SCREW FOR NO.819-156
819-156	FORK LEVER SPRING
819-157	2 SCREWS FOR NO.819-154
819-158	OIL CUP
819-159	2 DOWEL PINS FOR NO. 819-101