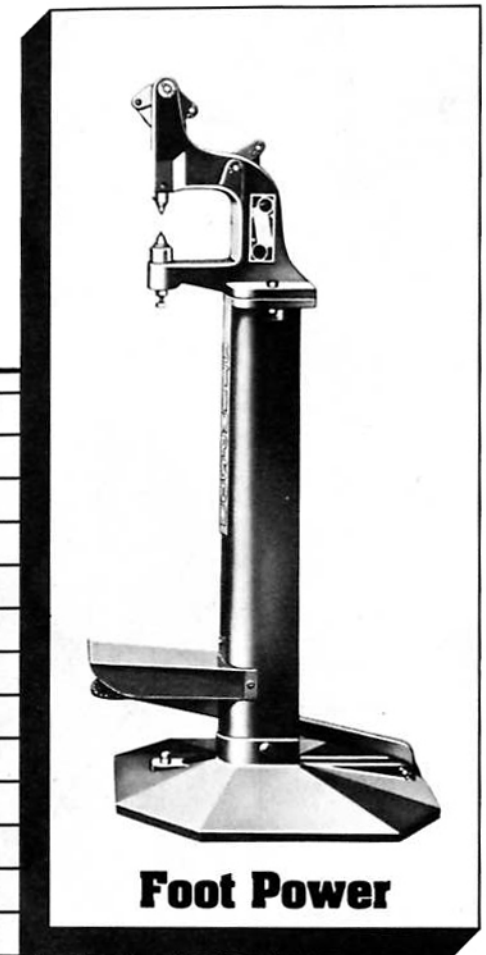
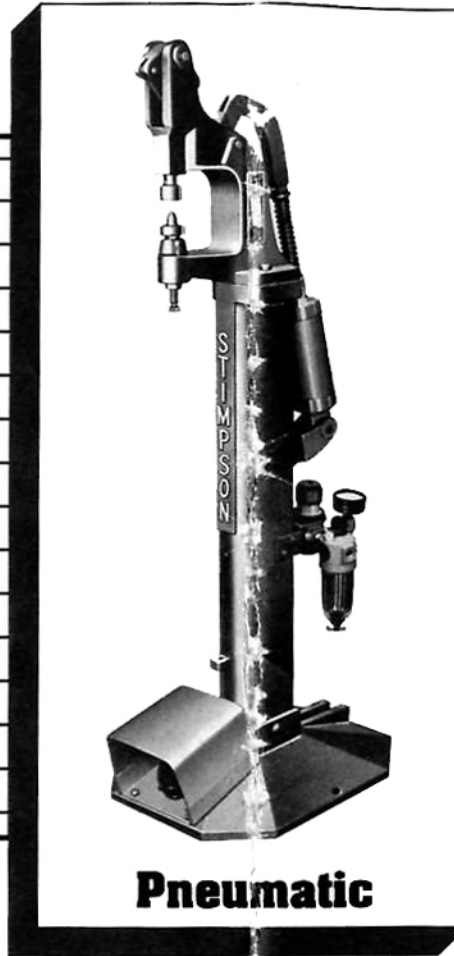


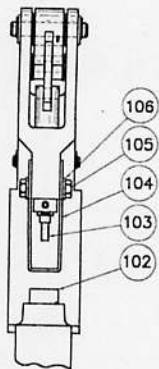
NO. 479 MACHINE PARTS CATALOG

CATALOG NO. 479-89

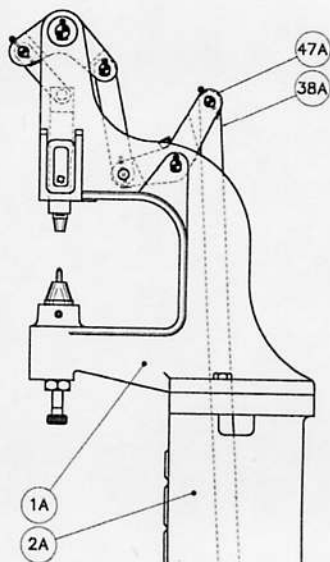
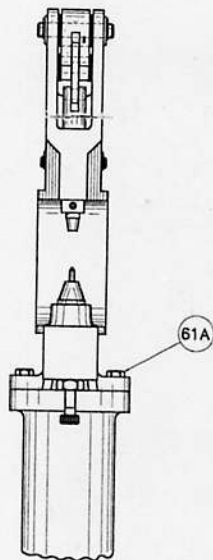


 **Stimpson** 
Co. Inc.

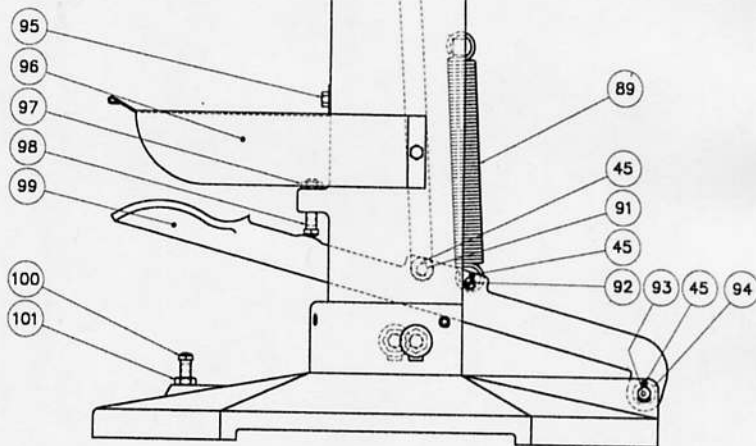
900 SYLVAN AVE., BAYPORT, NY 11705-1097
(516) 472-2000 • FAX (516) 472-2425 • TX-ITT-497-2370

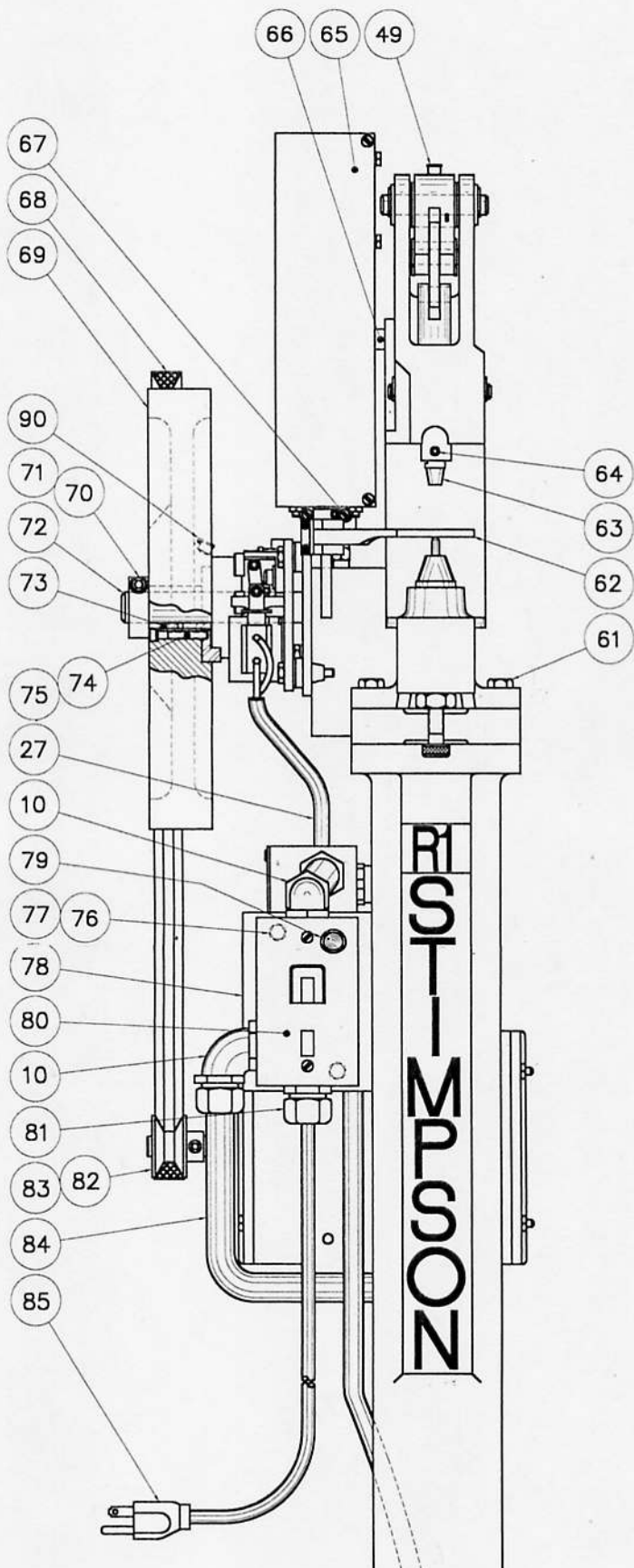


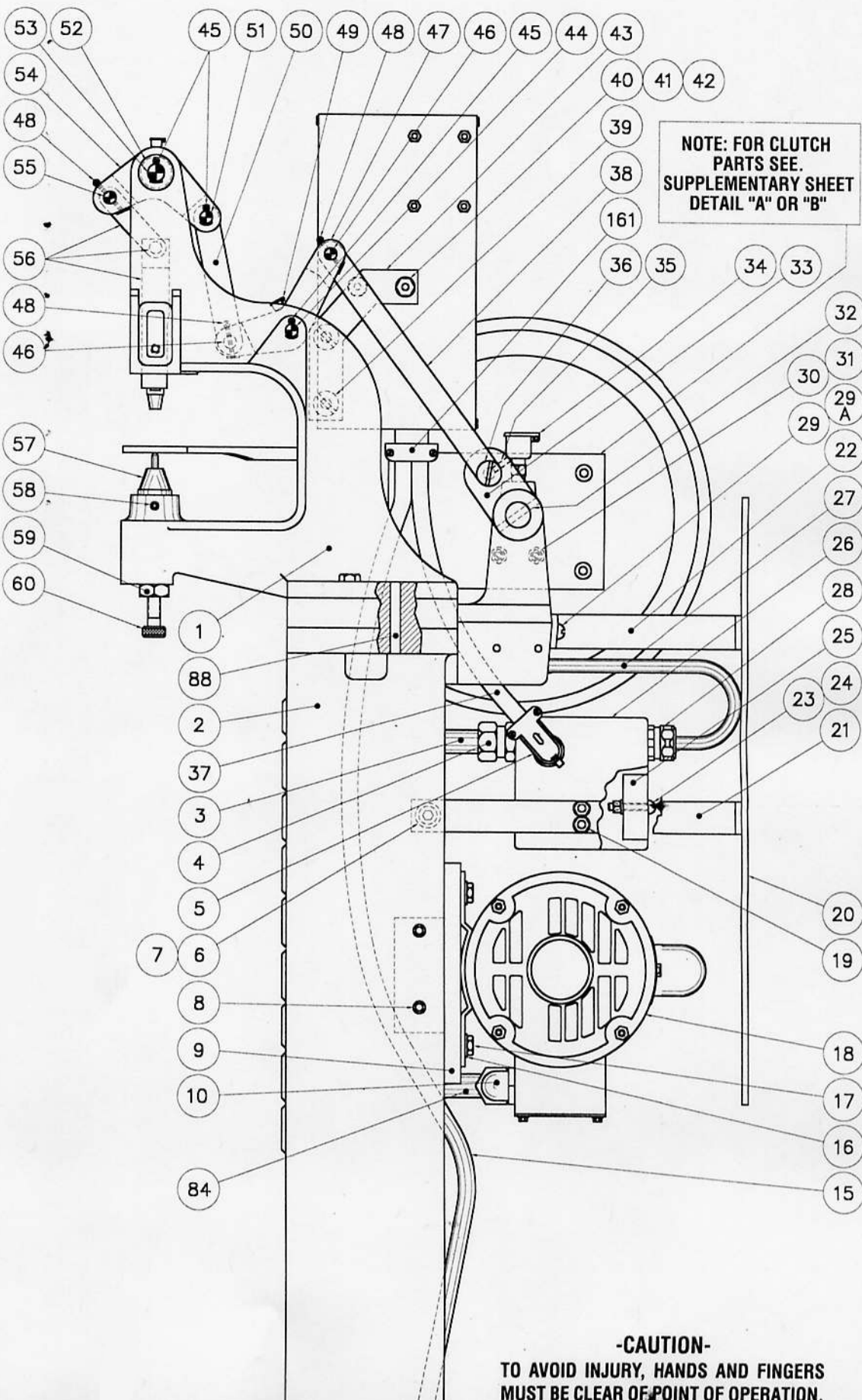
PARTS FOR PUNCH & DIE



NO. 479 FOOT POWER MACHINE

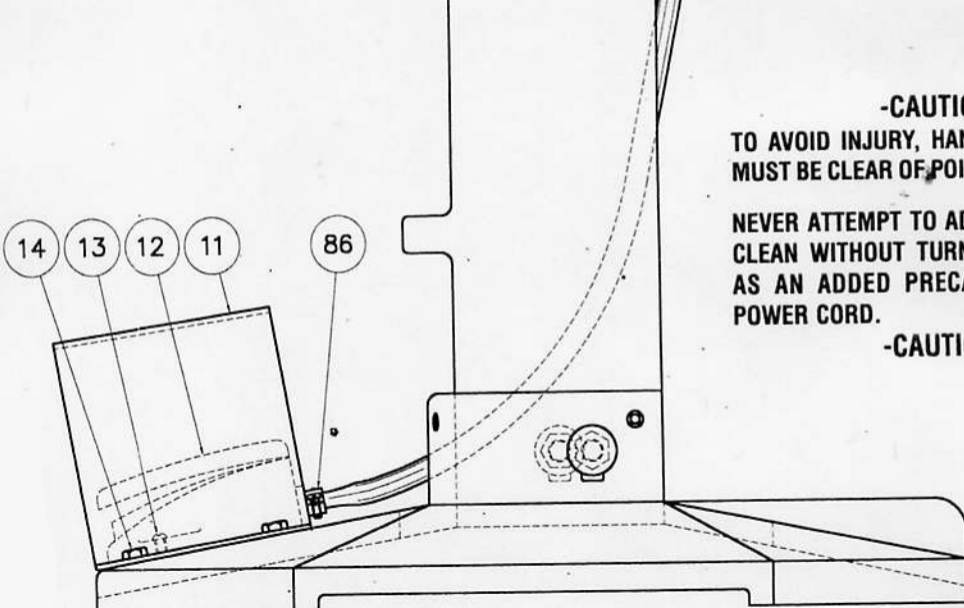






NOTE: FOR CLUTCH PARTS SEE SUPPLEMENTARY SHEET DETAIL "A" OR "B"

-CAUTION-
 TO AVOID INJURY, HANDS AND FINGERS MUST BE CLEAR OF POINT OF OPERATION.

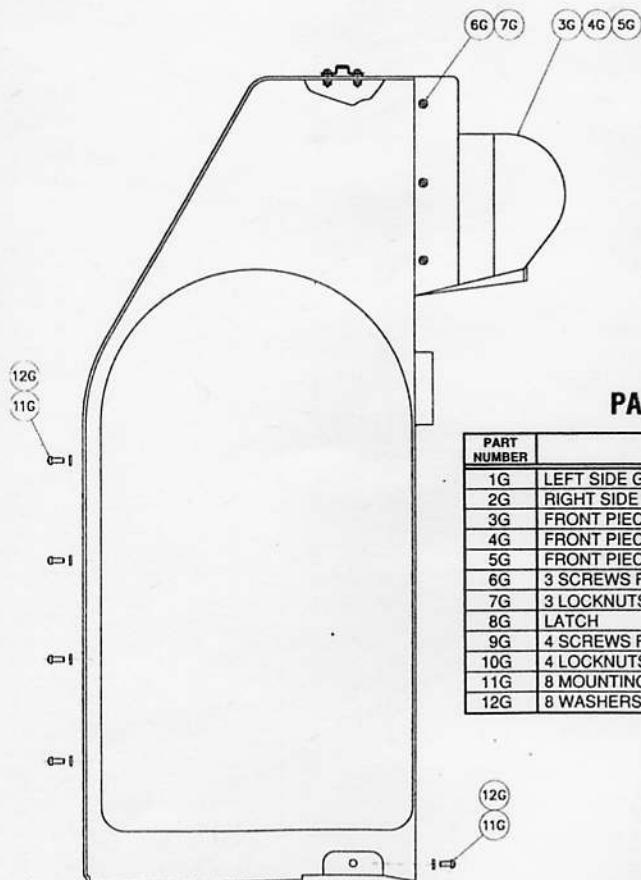


-CAUTION-
TO AVOID INJURY, HANDS AND
MUST BE CLEAR OF POINT OF OP

NEVER ATTEMPT TO ADJUST, R
CLEAN WITHOUT TURNING OFF
AS AN ADDED PRECAUTION,
POWER CORD.

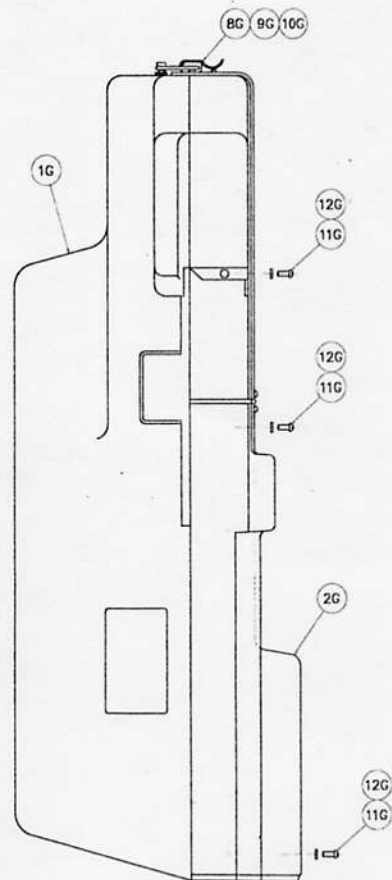
-CAUTION-

GUARD FOR ELECTRIC MACHINE



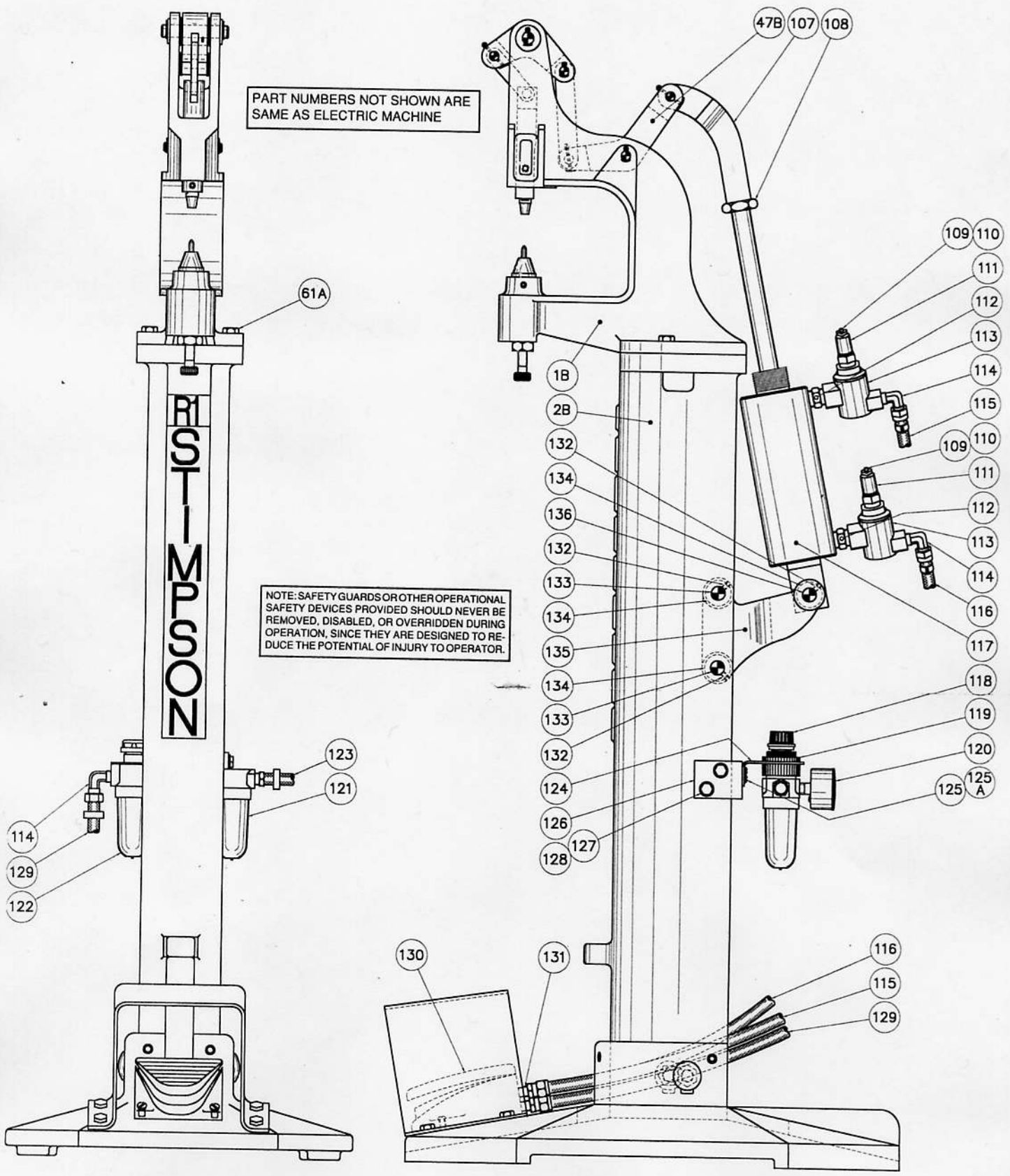
PARTS LISTS

PART NUMBER	NAME	
1G	LEFT SIDE GUARD	USED ON #479,#489 & C1
2G	RIGHT SIDE GUARD	ELECTRIC MACHINES
3G	FRONT PIECE GUARD FOR #479 ELECTRIC	
4G	FRONT PIECE GUARD FOR #489 ELECTRIC	
5G	FRONT PIECE GUARD FOR C1 ELECTRIC	
6G	3 SCREWS FOR NO. 3G OR 4G OR 5G	
7G	3 LOCKNUTS FOR NO. 6G	
8G	LATCH	
9G	4 SCREWS FOR NO. 8G	
10G	4 LOCKNUTS FOR NO. 9G	
11G	8 MOUNTING SCREWS FOR NO. 1G & 2G	
12G	8 WASHERS FOR NO. 11G	



PART NUMBERS NOT SHOWN ARE
SAME AS ELECTRIC MACHINE

NOTE: SAFETY GUARDS OR OTHER OPERATIONAL
SAFETY DEVICES PROVIDED SHOULD NEVER BE
REMOVED, DISABLED, OR OVERRIDDEN DURING
OPERATION, SINCE THEY ARE DESIGNED TO RE-
DUCE THE POTENTIAL OF INJURY TO OPERATOR.

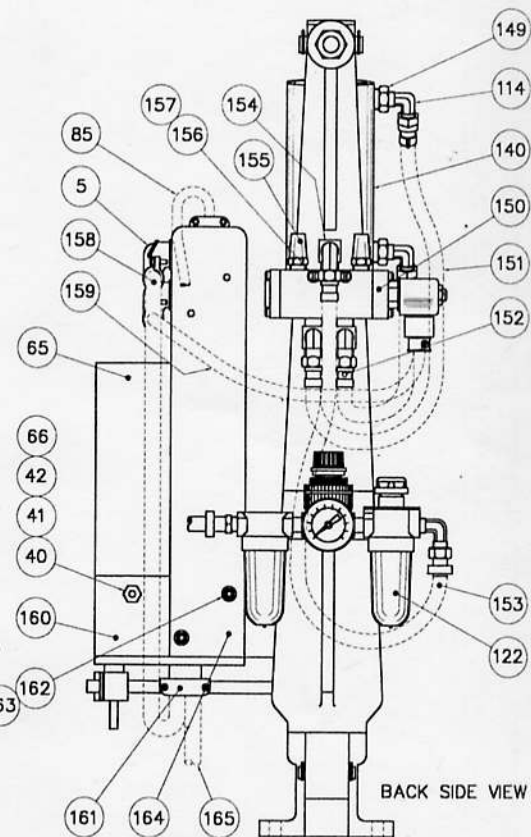
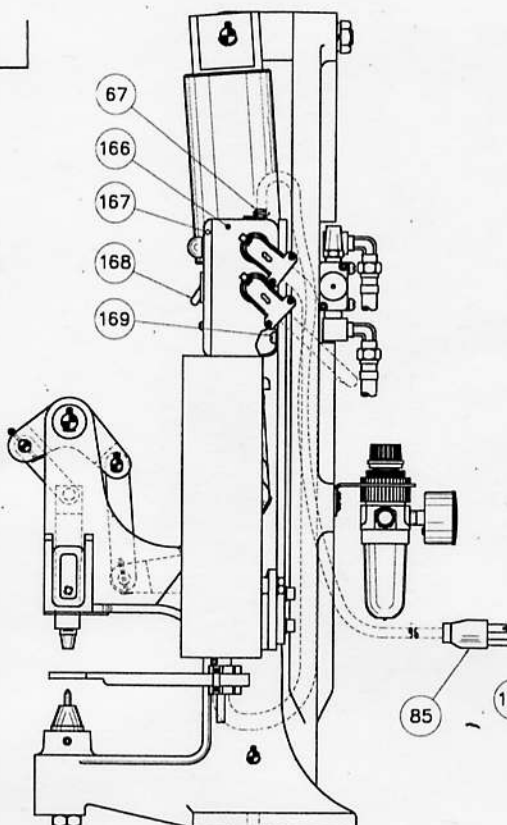
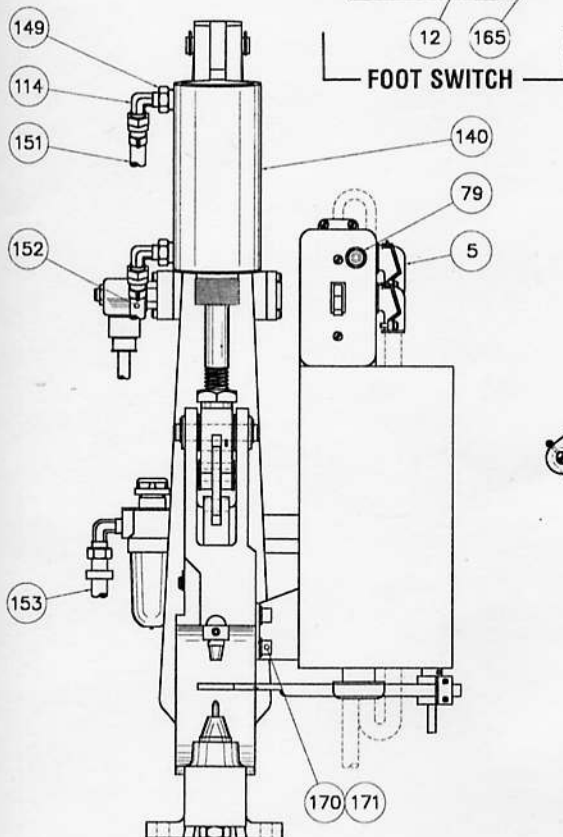


NO. 479 PNEUMATIC-BENCH MACHINE

with ProtectOswitch



FOOT SWITCH

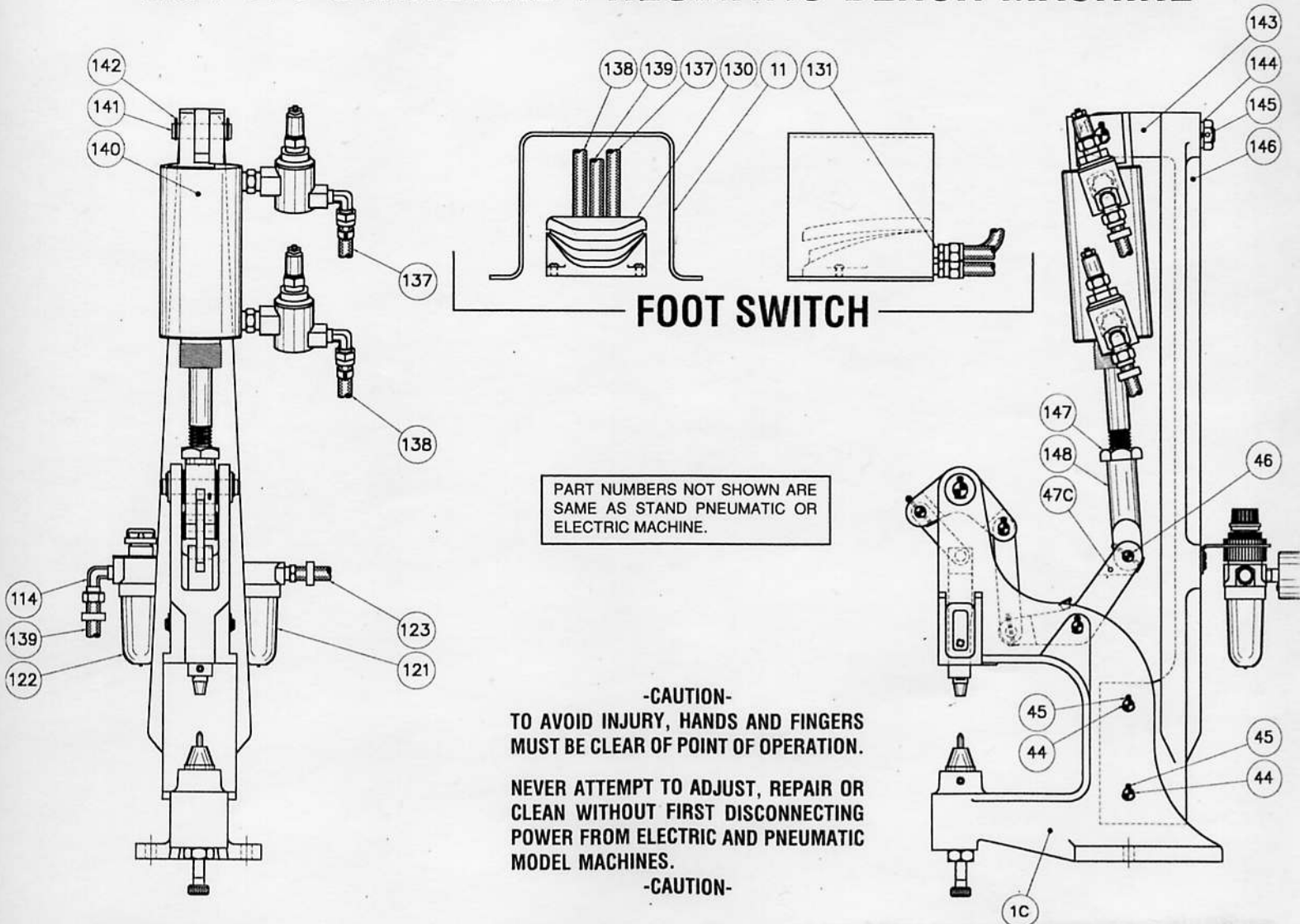


BACK SIDE VIEW

FOR PART NUMBERS NOT SHOWN
SEE STANDARD BENCH PNEUMATIC
AND ELECTRIC MACHINE.

THIS 4-WAY SOLENOID VALVE SET-UP
IS USED WITH PROTECTOSWITCH ON
BENCH OR PNEUMATIC MACHINES.

NO. 479 STANDARD PNEUMATIC-BENCH MACHINE



FOOT SWITCH

PART NUMBERS NOT SHOWN ARE
SAME AS STAND PNEUMATIC OR
ELECTRIC MACHINE.

-CAUTION-
TO AVOID INJURY, HANDS AND FINGERS
MUST BE CLEAR OF POINT OF OPERATION.

NEVER ATTEMPT TO ADJUST, REPAIR OR
CLEAN WITHOUT FIRST DISCONNECTING
POWER FROM ELECTRIC AND PNEUMATIC
MODEL MACHINES.

-CAUTION-

PART NO.	NAME
1	HEAD FOR ELECTRIC MACHINE
1A	HEAD FOR FOOT POWER MACHINE
1B	HEAD FOR PNEUMATIC STAND MACHINE
1C	HEAD FOR PNEUMATIC BENCH MACHINE
2	STAND FOR ELECTRIC MACHINE
2A	STAND FOR FOOT POWER MACHINE •
2B	STAND FOR PNEUMATIC STAND MACHINE
3	CABLE FOR NO'S 26 & 80
4	CABLE CONNECTOR
5	CABLE CONNECTOR (3)
6	FASTENING SCREW FOR NO'S 2, 21 & 78
7	WASHER FOR NO. 6
8	2 ROLL PINS FOR NO'S 2 & 9
9	MOTOR BRACKET
10	CABLE CONNECTOR (3)
11	GUARD FOR NO. 12 OR 130
12	FOOT SWITCH (ELECTRIC)
13	2 SCREWS WITH LOCKWASHERS FOR NO. 12 OR 130
14	4 SCREWS FOR NO. 11
15	CABLE FOR NO. 12 & 65 (ELECTRIC MACHINE)
16	4 WASHERS FOR NO. 17
17	4 FASTENING SCREWS
18	MOTOR
19	2 FASTENING SCREWS FOR NO. 26
20	BACK BRACKET
21	LOWER BRACKET • GUARD BRACKET
22	UPPER BRACKET SOLD AS A UNIT
23	SCREW FOR NO'S 25 & 26
24	LOCKNUT FOR NO. 23
25	TIME DELAY RELAY
26	CONTROL BOX
27	CABLE FOR NO. 26 & CLUTCH SELONOID
28	CABLE CONNECTOR
29	FASTENING SCREW FOR NO. 22
29A	LOCK WASHER
30	2 FASTENING SCREWS FOR NO. 87
31	2 LOCKWASHERS FOR NO. 30
32	PIN FOR NO'S 33 & 72
33	POWER LINK
34	OIL CUP
35	LOCKSCREW FOR NO. 36
36	POWER LINK STUD
37	CABLE FOR NO'S 26 & 65
38	CONNECTING ROD FOR ELECTRIC MACH.
38A	CONNECTING ROD FOR FOOT POWER MACH.
39	2 FASTENING SCREWS FOR NO. 43
40	2 FASTENING SCREWS FOR NO. 65
41	2 LOCKWASHERS FOR NO. 42
42	2 NUTS FOR NO. 40
43	MOUNTING BRACKET FOR NO. 65
44	PIN (3)
45	COTTER PIN (3)
46	PIN '-
47	INTERMEDIATE LEVER FOR ELECTRIC MACH.
47A	INTERMEDIATE LEVER FOR FOOT POWER MACH.
47B	INTERMEDIATE LEVER FOR STAND PNEUMATIC MACH.

47C	INTERMEDIATE LEVER FOR BENCH PNEUMATIC MACH.
48	COTTER PIN
49	OIL CUP (2)
50	INTERMEDIATE LINK
51	PIN FOR NO'S 50 & 54
52	SPACERS
53	PIN FOR NO'S 1 & 54
54	HEAD LEVER
55	PIN FOR NO'S 54 & 56
56	PLUNGER UNIT
57	BOTTOM SET
58	BOTTOM SET LOCKSCREW
59	LOCKNUT FOR NO. 60
60	BOTTOM SET ADJUSTING SCREW
61	2 HEAD FASTENING SCREWS FOR ELECTRIC MACH.
61A	2 HEAD FAST. SCREWS FOR FOOT POWER & STAND PN. MACH.
62	PROBE
63	TOP SET
64	TOP SET LOCKSCREW
65	PROTECTOSWITCH
66	2 SPACERS FOR NO'S 43 & 65
67	CABLE CONNECTOR FOR NO'S 37 & 65
68	BELT
69	FLYWHEEL
70	SPLIT END COLLAR
71	LOCKSCREW FOR NO. 70
72	MAIN SHAFT
73	2 BUSHINGS FOR NO. 69
74	FASTENING SCREW FOR NO. 75
75	CLUTCH KEY
76	2 FASTENING SCREWS FOR NO. 80
77	2 LOCKNUTS FOR NO. 76
78	BRACKET FOR NO. 80
79	RUNNING LIGHT
80	MAIN SWITCH

PART NO.	NAME
81	CABLE CONNECTOR FOR NO. 85
82	MOTOR PULLEY
83	LOCKSCREW FOR NO. 82
84	CABLE FOR NO'S 18 & 80
85	POWER CORD
86	CABLE CONNECTOR FOR NO'S 12 & 15
88	2 PINS FOR ELECTRIC MACHINE
89	TREADLE SPRING
90	OIL CUP FOR NO. 69
91	PIN FOR NO'S 38A & 99
92	PIN FOR NO'S 89 & 99
93	PIN FOR NO'S 2A & 99
94	SPACERS
95	3 SCREWS FOR NO. 96
96	FOOT TREADLE GUARD
97	LOCKNUT FOR NO. 98
98	TREADLE ADJUSTING SCREW
99	TREADLE

100	TREADLE STOP SCREW
101	LOCKNUTFOR NO. 100
102	DIE
103	PUNCH
104	STRIPPER
105	2 STRIPPER LOCKSCREWS
106	2 WASHERS FOR NO. 105
107	CYLINDER CONNECTING ROD
108	LOCKNUT FOR NO'S 107 &117
109	ADJUSTING SCREW (2) WITH NO. 111
110	LOCKNUT FOR NO. 109(2)
111	MUFFLER (2) WITH NO. 109
112	HEXAGON NIPPLE (2)
113	QUICK EXHAUST VALVE (2)
114	ELBOW (3)
115	UPPER HOSE FOR NO. 117
116	LOWER HOSE FOR NO.117
117	AIR CYLINDER FOR STAND PNEUMATIC MACH.
118	PRESSURE REGULATOR WITH NO. 120
119	LOCKNUT FOR NO. 118
120	GAUGE WITH NO. 118
121	AIR FILTER
122	AIR LUBRICATOR
123	SUPPLY HOSE
124	FIL. - REG. - LUB. - GAUGE BRACKET
125	2 SCREWS FOR NO. 124
125A	2 LOCK WASHERS
126	BRACKET FOR NO. 124
127	2 SCREWS FOR NO. 126
128	2 LOCKWASHERS FOR NO. 127
129	HOSE FOR NO'S 122 & 130
130	FOOT VALVE (4-WAY PNEUMATIC)
131	3 HEXAGON NIPPLES
132	LOCKSCREW (3)
133	PIN FOR NO. 135
134	SPACERS
135	AIR CYLINDER BRACKET
136	PIN FOR NO'S 117 & 135
137	UPPER HOSE FOR BENCH PNEUMATIC
138	LOWER HOSE FOR BENCH PNEUMATIC
139	HOSE FOR NO'S 122 & 130 BENCH PNEUMATIC
140	AIR CYLINDER FOR BENCH PNEUMATIC
141	PIN FOR NO. 140
142	2 COTTER PINS FOR NO. 141
143	CYLINDER HOLDER
144	LOCKWASHER FOR NO. 145
145	NUT FOR NO. 143
146	CYLINDER BRACKET
147	LOCKNUT FOR NO'S 140 & 148
148	CYLINDER CONNECTING ROD
149	REDUCERS FOR NO'S 114 & 140
150	4-WAY SOLENOID VALVE
151	UPPER HOSE FOR NO'S 140 & 150
152	LOWER HOSE FOR NO'S 140 & 150
153	HOSE FOR NO'S 122 & 150
154	ELBOW (ROD FLAT)
155	2 MUFFLERS
156	3 FASTENING SCREWS FOR NO. 150

157	3 LOCKWASHERS FOR NO. 156
158	CABLE FOR NO'S 65 & 166
159	CABLE FOR NO'S 150 & 166
160	BRACKET FOR NO. 65
161	CABLE CONNECTOR FOR NO. 65 (2)
162	2 FASTENING SCREWS FOR NO'S 160 & 164
163	2 LOCKWASHERS FOR NO. 162
164	BRACKET FOR NO. 166
165	CABLE FOR NO'S 12 & 65 (BENCH PN. MACH.)
166	ELECTRICAL BOX
167	COVER WITH 2 SCREWS FOR NO. 166
168	MAIN SWITCH
169	2 FASTENING SCREWS FOR NO. 166
170	2 FASTENING SCREWS FOR NO. 160
171	2 LOCKWASHERS FOR NO. 174