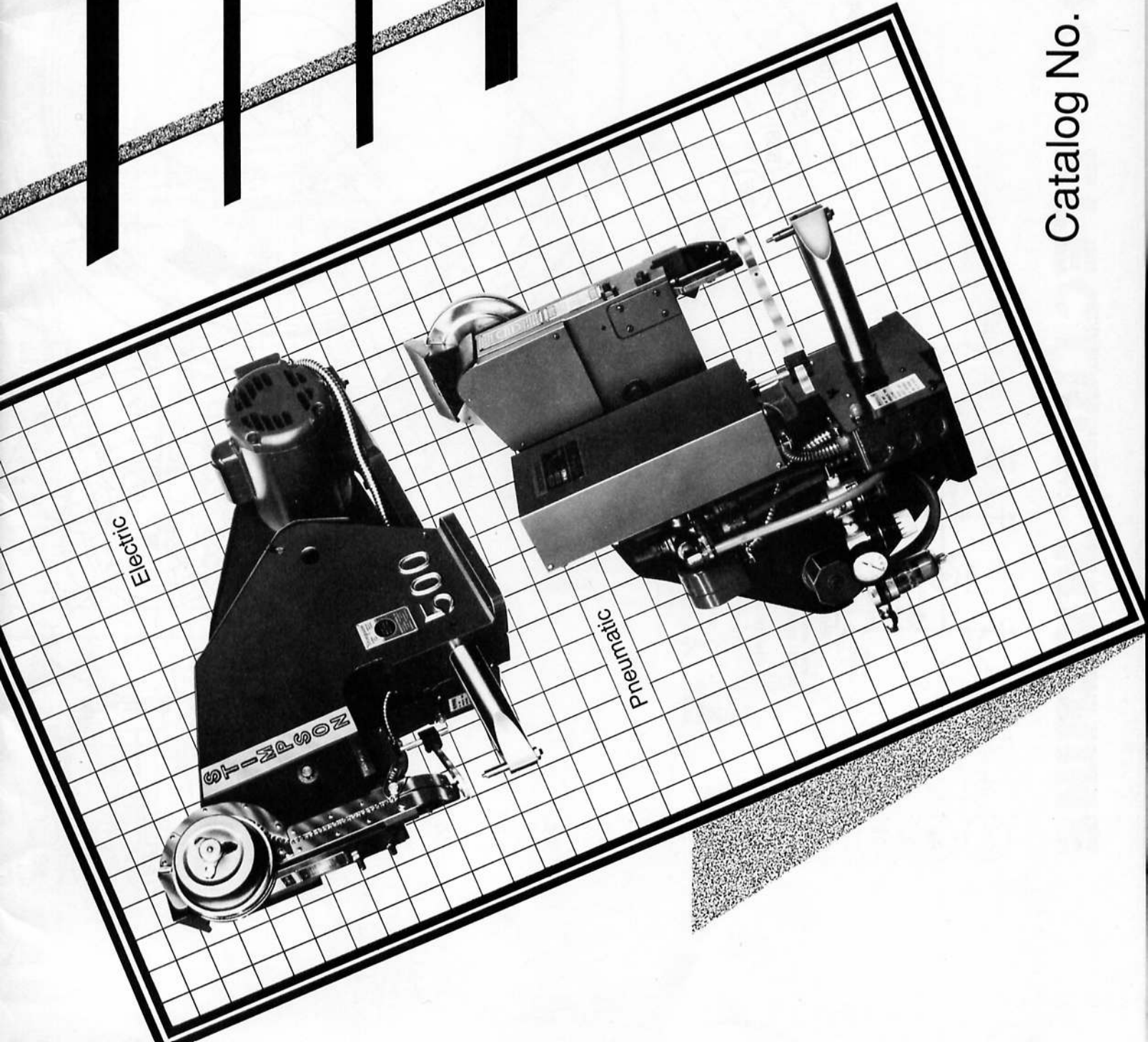


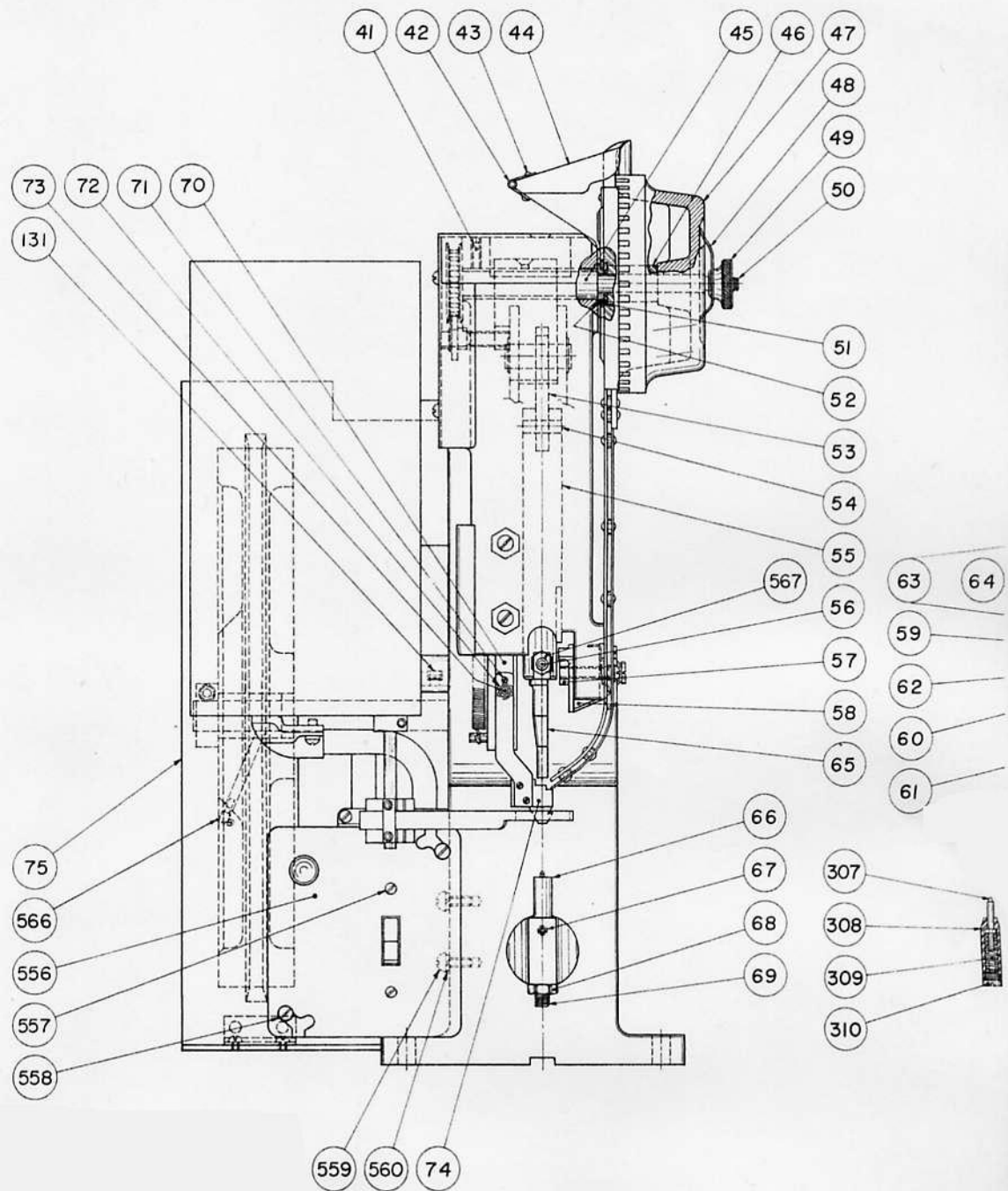
No. 500

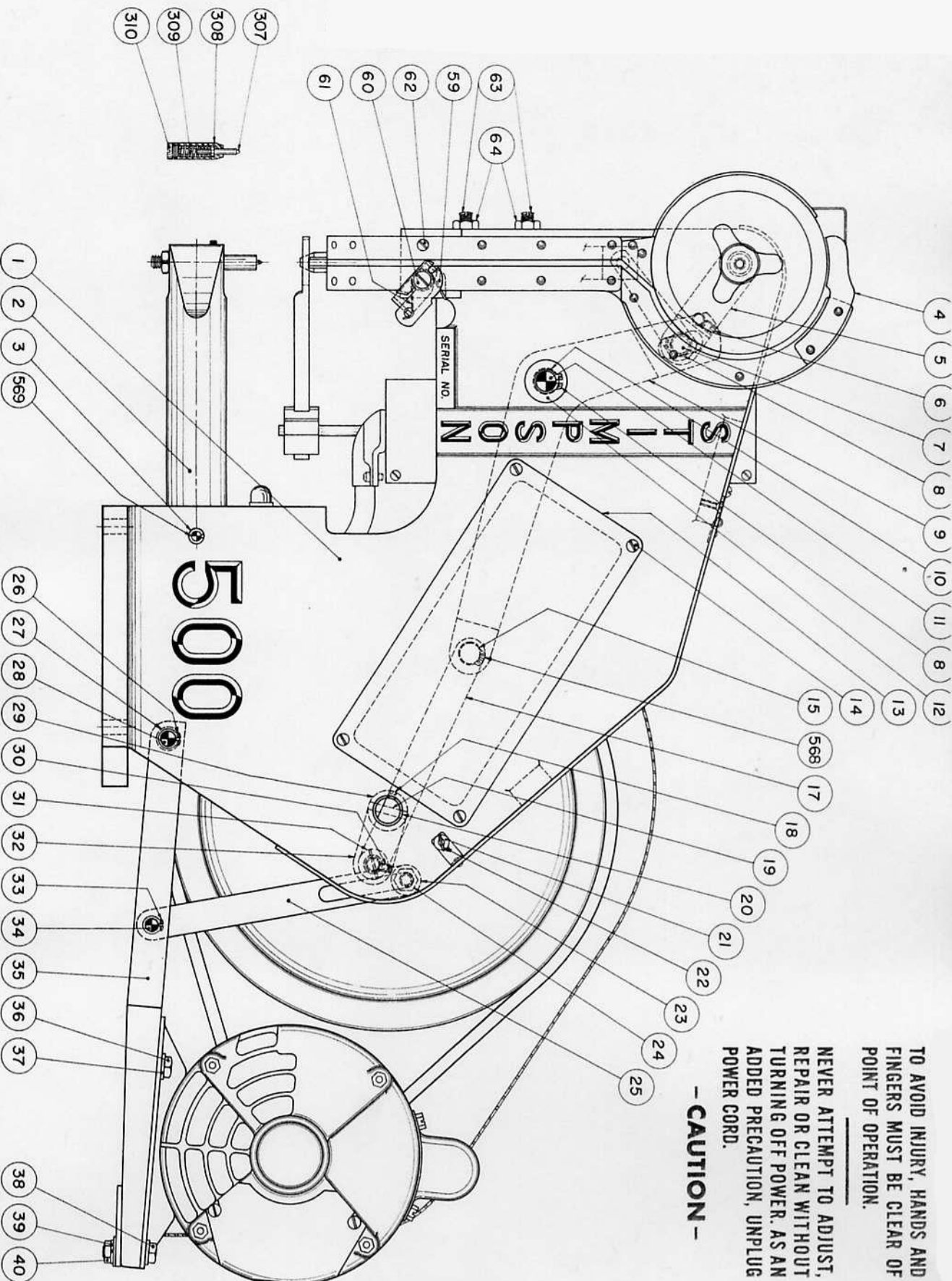
Machine

Parts Catalog



Catalog No. 500-88



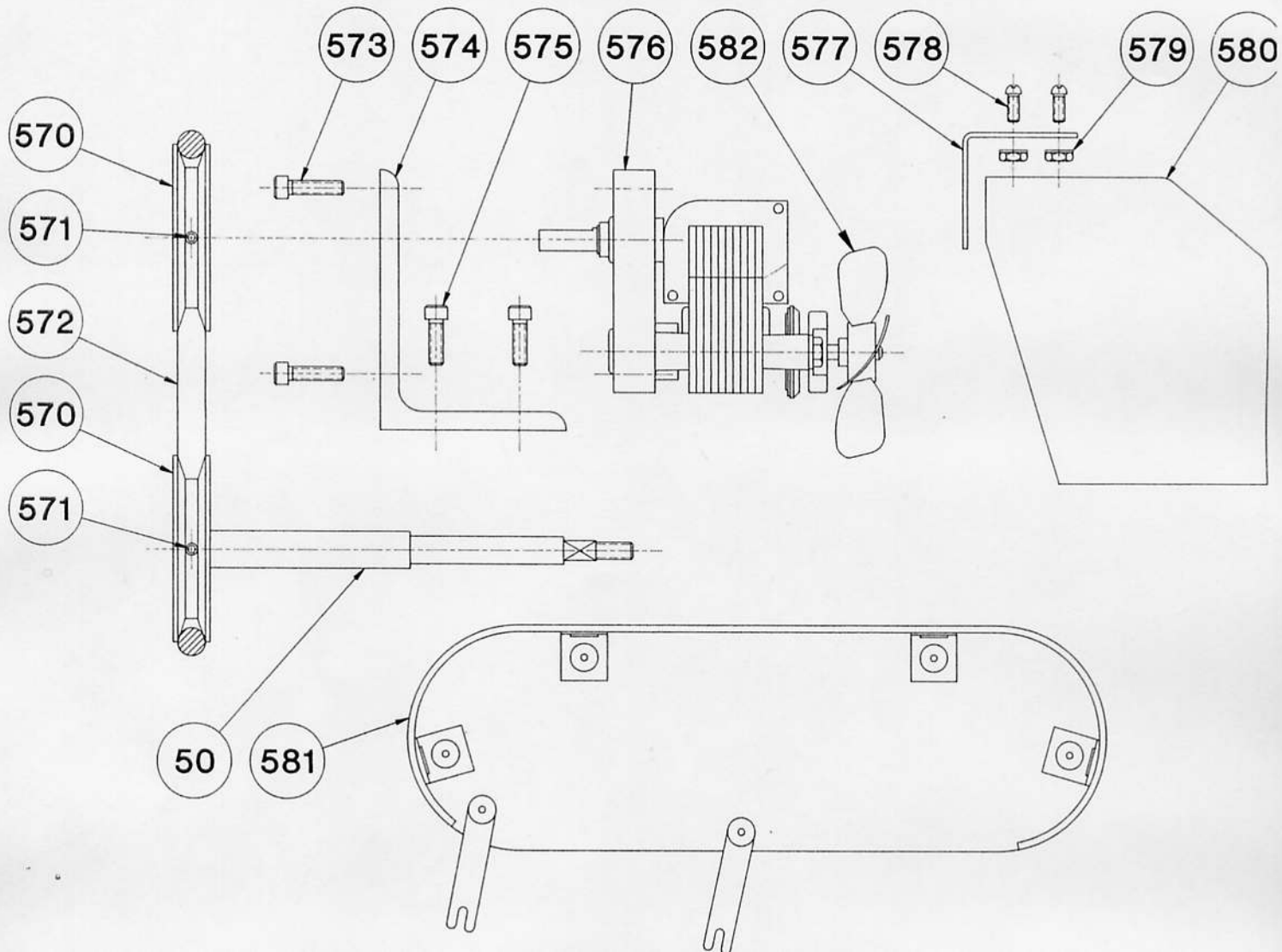


TO AVOID INJURY, HANDS AND FINGERS MUST BE CLEAR OF POINT OF OPERATION.

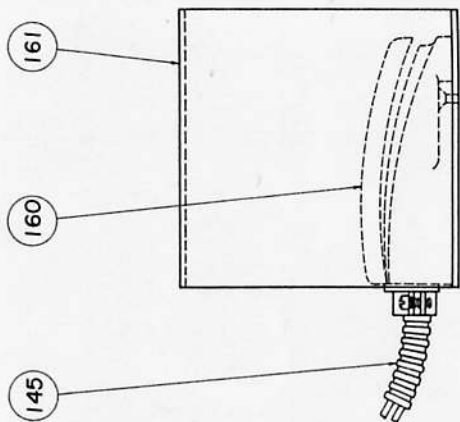
NEVER ATTEMPT TO ADJUST, REPAIR OR CLEAN WITHOUT TURNING OFF POWER. AS AN ADDED PRECAUTION, UNPLUG POWER CORD.

- CAUTION -

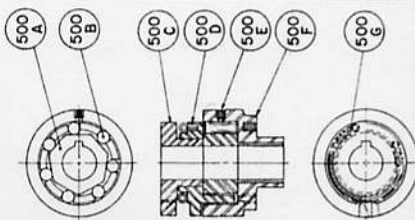
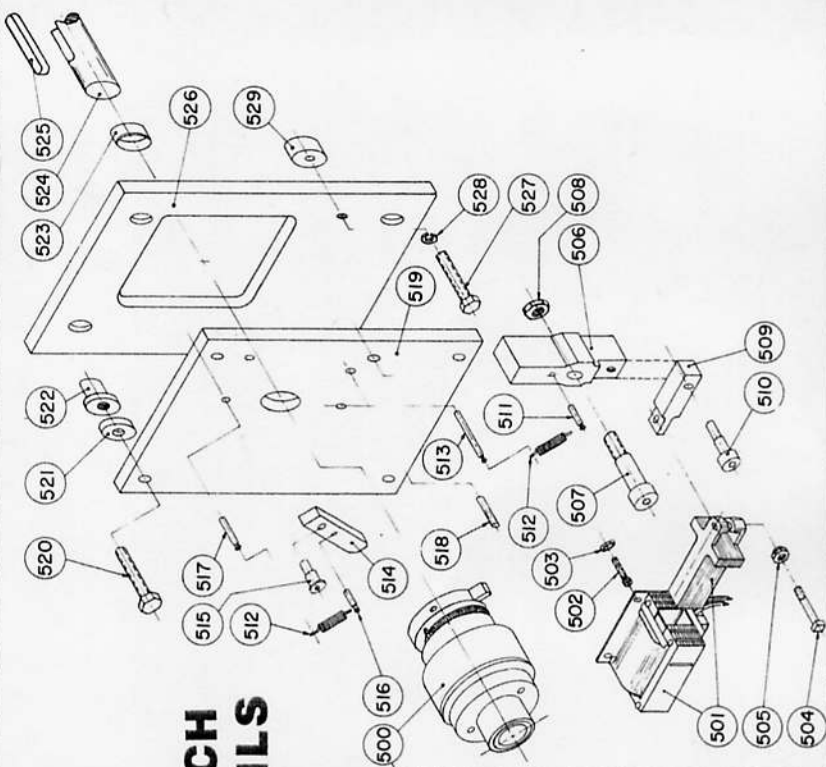
BOX DRIVE (ELECTRIC) USED ON SOME MACHINES

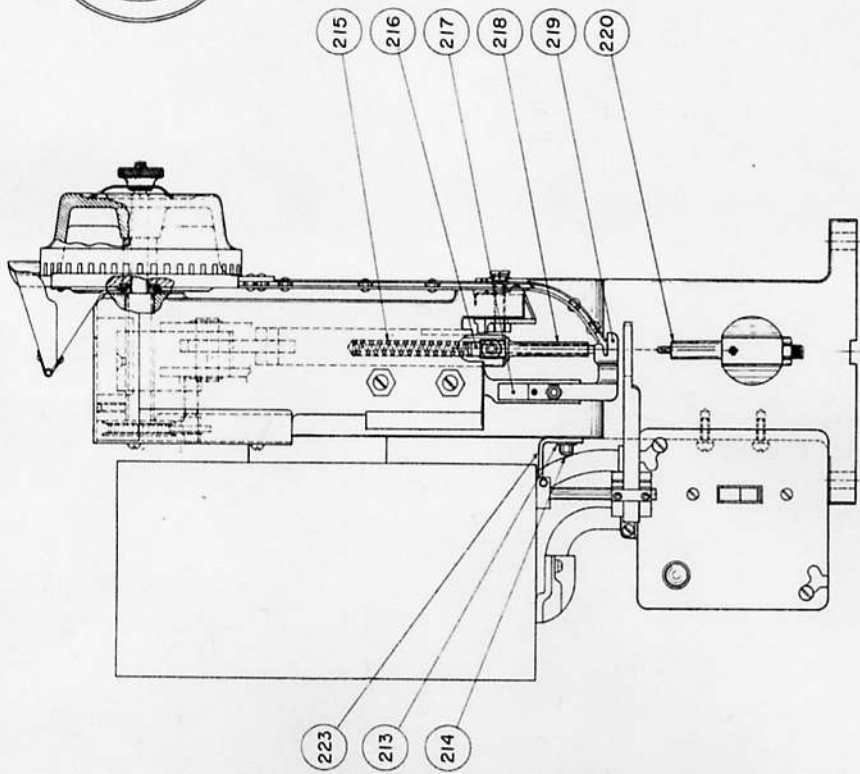
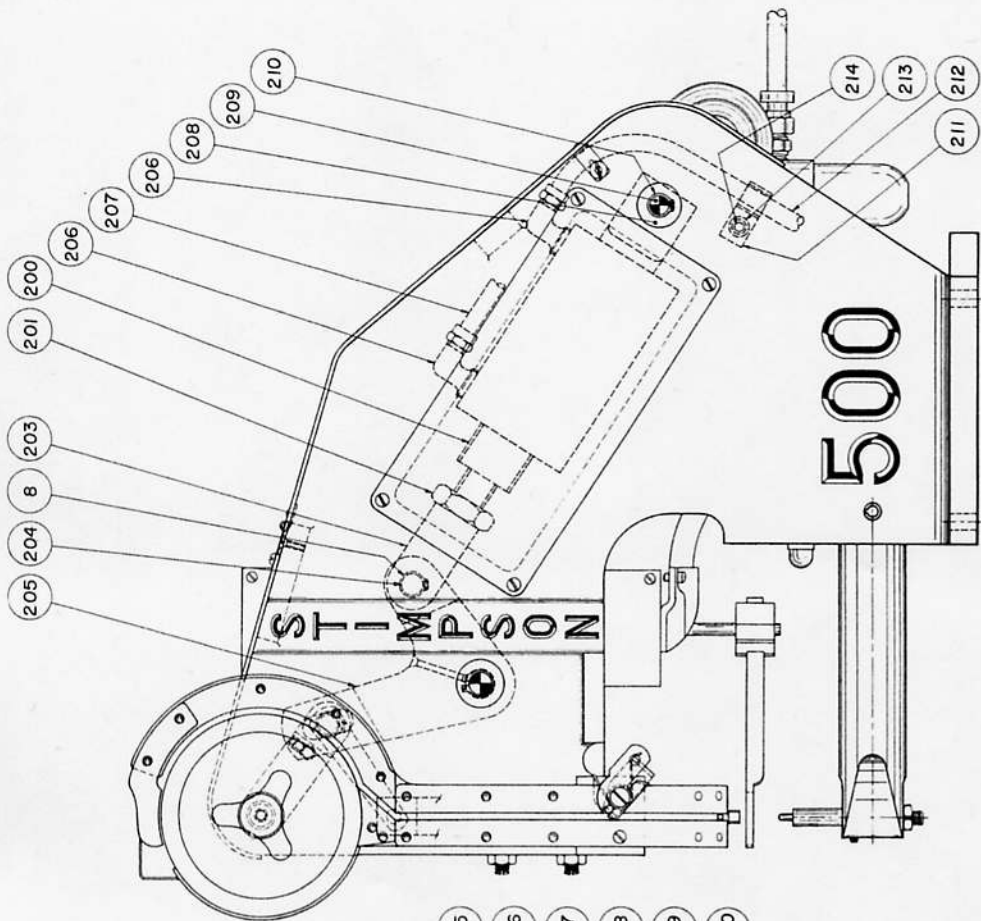


FOOT SWITCH



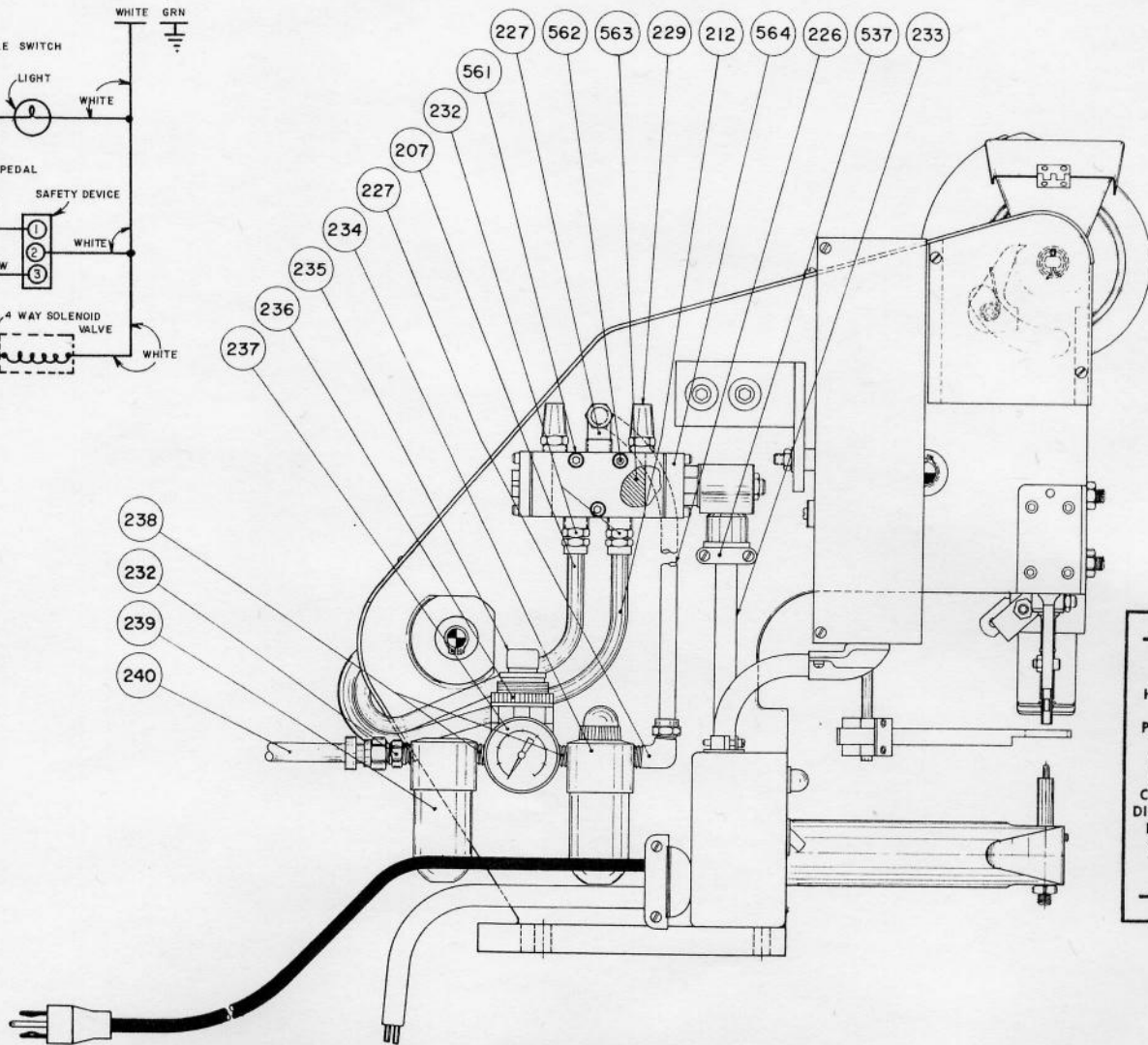
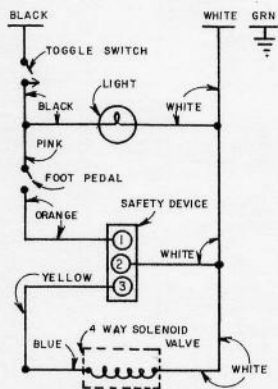
CLUTCH DETAILS





**ELECTRICAL CIRCUIT WITH RING GUARD
SAFETY DEVICE - PNEUMATIC MACHINE**
110 VOLTS AC 60 CY 1 PHASE

NO. 500



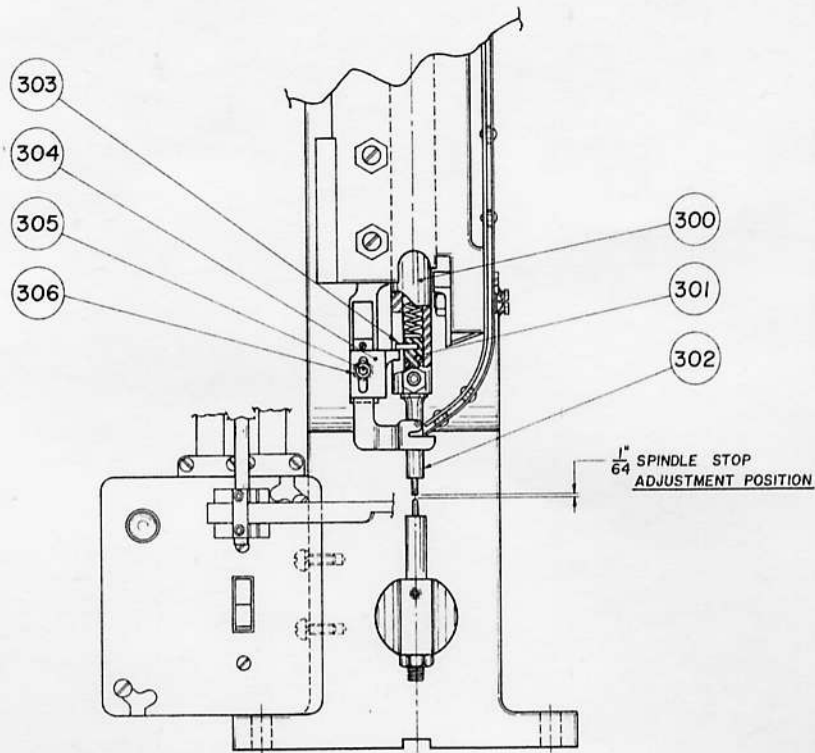
- CAUTION -

TO AVOID INJURY,
HANDS AND FINGERS
MUST BE CLEAR OF
POINT OF OPERATION.

NEVER ATTEMPT TO
ADJUST, REPAIR OR
CLEAN WITHOUT FIRST
DISCONNECTING POWER
FROM ELECTRIC AND
PNEUMATIC MODEL
MACHINES.

- CAUTION -

PARTS FOR SPINDLE STOP ATTACHMENT USED ON SOME 500 - EYELET MACHINES



PART NO.	NAME
500-1	HEAD
500-2	STEEL ARM
500-3	ROLL PIN FOR NO. 2
500-4	BOX CARRIER ROADWAY
500-5	HEAD LEVER
500-6	LOCKSCREW FOR NO. 157
500-7	PIN FOR NO'S 5 & 9
500-8	2 RETAINING RINGS
500-9	INTERMEDIATE LEVER
500-10	2 BUSHINGS FOR NO'S 1 & 11
500-11	PIN FOR NO'S 1 & 9
500-12	SPACERS
500-15	SIDE COVER
500-14	4 SCREWS FOR NO. 13
500-15	PIN FOR NO'S 9 & 17
500-17	INTERMEDIATE LEVER CONNECTING LINK
500-18	LOCKSCREW FOR NO'S 32 & 531
500-19	PIN FOR NO'S 32 & 531
500-20	2 BUSHINGS FOR NO'S 1 & 531
500-21	WASHER
500-22	THUMB SCREW
500-23	WASHER
500-24	FASTENING SCREW FOR NO. 25
500-25	MOTOR BRACKET ADJUSTING LINK
500-26	2 RETAINING RINGS
500-27	2 SPACERS
500-28	PIN FOR NO'S 35 & 1
500-29	SPACER
500-30	LOCKSCREW FOR NO. 31
500-31	POWER LINK STUD
500-32	POWER LINK
500-33	2 RETAINING RINGS
500-34	PIN FOR NO'S 25 & 35
500-35	MOTOR BRACKET
500-36	2 FASTENING SCREWS
500-37	4 WASHERS FOR NO'S 36 & 38
500-38	2 FASTENING SCREWS
500-39	2 LOCKWASHERS
500-40	2 LOCKNUTS FOR NO. 38
500-41	SET SCREW FOR NO'S 1 & 45
500-42	CHUTE COVER HINGE

PART NO.	NAME
500-43	4 RIVETS FOR NO. 42
500-44	CHUTE COVER
500-45	BOX STUD BEARING
500-46	BOX SPACER
500-47	HOPPER BOX
500-48	HOPPER BOX SPRING
500-49	HOPPER BOX NUT
500-50	HOPPER BOX STUD
500-51	SPACER FOR NO'S 46 & 4
500-52	SPACER FOR NO'S 1 & 4
500-53	PLUNGER LINK i-
500-54	PLUNGER PIN z
500-55	PLUNGER -J
500-56	LOCKSCREW

500-57	LOCKNUT FOR NO. 60
500-58	CUT-OFF OPERATING LEVER
500-59	CUT-OFF
500-60	CUT-OFF STUD
500-61	CUT-OFF SPR'NG
500-62	FASTENING SCREW FOR NO. 4
500-63	2 POCKET PLUNGER ADJUSTING SCREWS
500-64	2 LOCKNUTS FOR NO.63
500-65	DRIVING STEM
500-66	SOLID ANVIL
500-67	ANVIL LOCKSCREW
500-68	LOCKNUT FOR NO. 69
500-69	ANVIL ADJUSTING SCREW
500-70	POCKET PLUNGER
500-71	POCKET SPRING PIN
500-72	LOCKNUT FOR NO. 73
500-73	POCKET FASTENING SCREW
500-74	POCKETS
500-75	BELT GUARD
500-76	WING NUT FOR NO. 75
500-85	PIN FOR NO'S 88 & 565
500-86	4 SCREWS FOR NO. 565
500-88	POCKET PLUNGER SPRING
500-89	POCKET PLUNGER SPRING PIN
500-97	RUNNING LIGHT
500-127	CABLE CONNECTOR
500-131	OIL CUP

PART NO.	NAME
500-155	BELT
500-136	MOTOR PULLEY
500-137	LOCKSCREW FOR NO. 138
500-138	KEY
500-159	MOTOR
500-140	CABLE FOR NO'S 139 & 550
500-141	2 FASTENING SCREWS FOR NO. 75
500-142	BRACKET FOR NO. 75
500-143	POWER CORD
500-145	CABLE FOR NO'S 160 & 550
500-146	LOWER HEAD GUARD
500-147	2 FASTENING SCREWS FOR NO. 146
500-148	2 FASTENING SCREWS FOR NO. 149
500-149	UPPER HEAD GUARD
500-150	2 FASTENING SCREWS FOR NO. 151
500-151	RATCHET GUARD
500-152	RATCHET PAWL SPRING
500-153	RATCHET PAWL
500-154	RATCHET
500-155	COTTER PIN
500-156	SPACER
500-157	LOCKSCREW FOR NO'S 152 & 153
500-158	PAWL STUD
500-159	WASHER
500-160	FOOT SWITCH
500-161	FOOT SWITCH GUARD
500-200	AIR CYLINDER
500-201	LOCKNUT FOR NO'S 200 & 203
500-203	CYLINDER CONNECTING ROD
500-204	PIN FOR NO'S 203 & 205
500-205	INTERMEDIATE LEVER FOR PNEUMATIC MACH.
500-206	ELBOW
500-207	CYLINDER HOSE - UPPER
500-208	SPACERS
500-209	PIN FOR NO'S 1 & 200
500-210	2 RETAINING RINGS
500-211	2 CLAMPS FOR NO'S 207 & 212
500-212	CYLINDER HOSE - LOWER
500-213	2 WASHERS FOR NO. 214
500-214	2 SCREWS FOR NO. 211 OR NO. 223
500-215	SPINDLE SPRING

PART NO-	NAME
500-216	TOP SET SPINDLE
500-217	POCKET HOLDER
500-218	TOP SET
500-219	PAIR OF POCKETS
500-220	BOTTOM SET
500-225	FIL - REG. - LUB. - GAUGE BRACKET
500-226	HOSE FOR NO'S 564 & 234
500-227	ELBOW
500-229	2 MUFFLERS
500-232	HEXAGON NIPPLE
500-253	CABLE FOR NO'S 550 & 564
500-234	AIR LUBRICATOR
500-235	PRESSURE REGULATOR WITH NO. 237

500-236	LOCKNUT FOR NO. 235
500-237	PRESSURE REGULATOR GAUGE WITH NO. 235
500-238	NIPPLE
500-239	AIR FILTER
500-240	SUPPLY HOSE
500-300	PLUNGER UNIT FOR NO. 303
500-301	TOP SET SPINDLE FOR NO. 304
500-302	TOP SET
500-303	STOP PIN
500-304	SPINDLE STOP
500-305	POCKET SPINDLE STOP FASTENING SCREW
500-306	LOCKNUT FOR NO. 305
500-307	RECEDING SPINDLE
500-308	RECEDING SPINDLE ANVIL
500-309	RECEDING SPINDLE SPRING
500-310	RECEDING SPINDLE ANVIL SCREW
500-500	CLUTCH
500-500-A	HUB
500-500-B	ROLLS
500-500-C	FILLING COLLAR WITH ROLL PIN
500-500-D	ROLL CAGE WITH ROLL PIN
500-500-E	OIL PLUG
500-500-F	SLEEVE WITH BUSHING
500-500-G	SPRING
500-501	SOLENOID
500-502	4 SOLENOID SCREWS
500-503	4 LOCKNUTS FOR NO 502
500-504	SOLENOID PIN

PART NO.	NAME
500-505	SOLENOID PIN NUT
500-506	TRIP LEVER
500-507	TRIP LEVER SHOULDER SCREW
500-508	NUT FOR 507
500-509	SOLENOID LINK
500-510	LINK SHOULDER SCREW
500-511	SPRING STUD-GROOVE PIN
500-512	SPRING
500-513	SPRING STUD-GROOVE PIN
500-514	BACKSTOP LEVER
500-515	SHOULDER SCREW
500-516	SPRING STUD-GROOVE PIN
500-517	SPRING STUD-GROOVE PIN
500-518	STOP PIN-DOWEL
500-519	MOUNTING PLATE
500-520	4 FASTENING SCREWS
500-521	4 WASHERS
500-522	4 WELL-NUTS FOR NO. 520
500-523	BEARING
500-524	SHAFT
500-525	KEY FOR NO'S 500 & 524
500-526	BASE PLATE FOR NO. 519
500-527	2 SCREWS FOR NO. 526
500-528	2 LOCKWASHERS FOR NO. 527
500-529	2 SPACERS
500-530	FLYWHEEL
500-531	MAIN SHAFT
500-532	BUSHING FOR NO. 530
500-533	SPLIT END COLLAR
500-534	LOCKSCREW FOR NO. 533
500-535	3 LOCKSCREWS FOR NO'S 530 & 500F
500-536	CABLE FOR NO'S 550 tc 501
500-537	3 CONNECTORS FOR NO'S 140,233,536 & 548
500-538	WASHER FOR NO. 76
500-539	BRACKET FOR NO. 546
500-540	2 WASHERS FOR NO. 541
500-541	2 SCREWS FOR NO. 539
500-542	2 SCREWS FOR NO'S 546 k 539
500-543	2 LOCKNUTS FOR NO. 542
500-544	2 WASHERS FOR NO. 543

PART NO.	NAME
500-546	PROTECTOSWITCH
500-547	PROBE
500-546	CABLE FOR NO'S 550 & 546
500-549	MAIN SWITCH
500-550	ELECTRICAL BOX
500-551	LOCKNUT FOR NO. 553
500-552	TIME DELAY RELAY
500-553	SCREW FOR NO'S 550 & 552
500-554	CABLE CONNECTOR SCREW
500-555	CABLE CONNECTOR
500-556	COVER FOR NO. 550
500-557	2 SCREWS FOR NO'S 556 & 549
500-558	2 SCREWS FOR NO. 556
500-559	2 SCREWS FOR NO'S 550 & 1
500-560	2 LOCKWASHERS FOR NO. 559

500-561	3 WASHERS FOR NO. 562
500-562	3 SCREWS FOR NO. 564
500-563	SPACER FOR NO. 564
500-564	4 - WAY SOLENOID VALVE
500-565	POCKET PLUNGER CAP
500-566	OIL CUP
500-567	LOCKNUT FOR NO. 56
500-568	2 RETAINING RINGS FOR NO. 15
500-569	PIN FOR NO. 3
500-570	PULLEY
500-571	LOCKSCREW FOR NO. 570
500-572	BOX DRIVE BELT
500-573	4 FASTENING SCREWS FOR NO'S 574 & 576
500-574	MOTOR BRACKET
500-575	2 FASTENING SCREWS FOR NO'S 1 & 574
500-576	MOTOR
500-577	MOTOR COVER BRACKET
500-578	3 FASTENING SCREWS FOR NO'S 577 & 580
500-579	3 LOCKNUTS FOR NO. 578
500-580	MOTOR COVER
500-581	GUARD FOR NO. 572
500-582	PROPELLER