

T - 10 - 77

PARTS CATALOG  
OF

TYPE 10

"C-E" Riveting  
Eyeletting

MACHINE

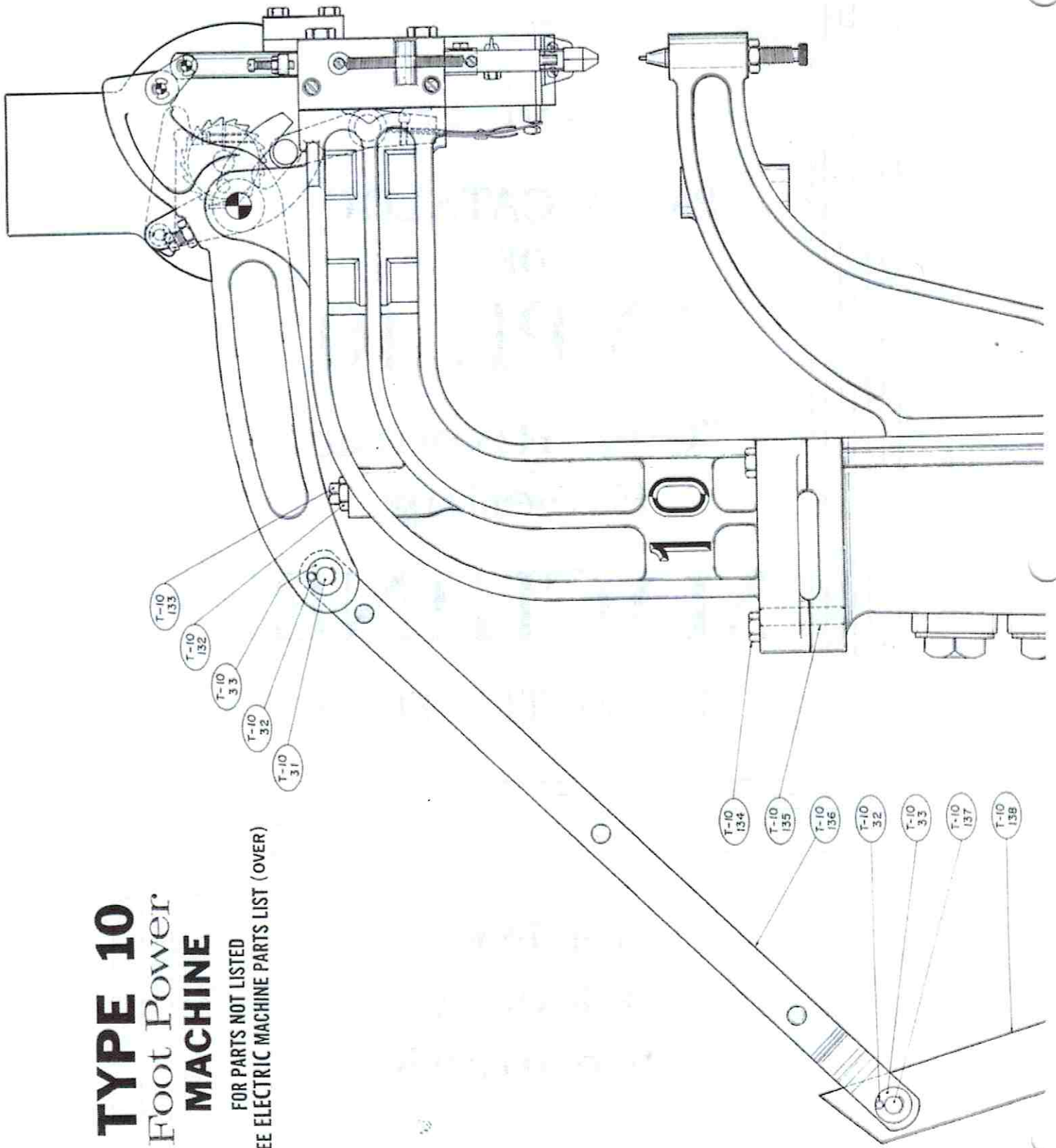
AUTOMATIC FEED

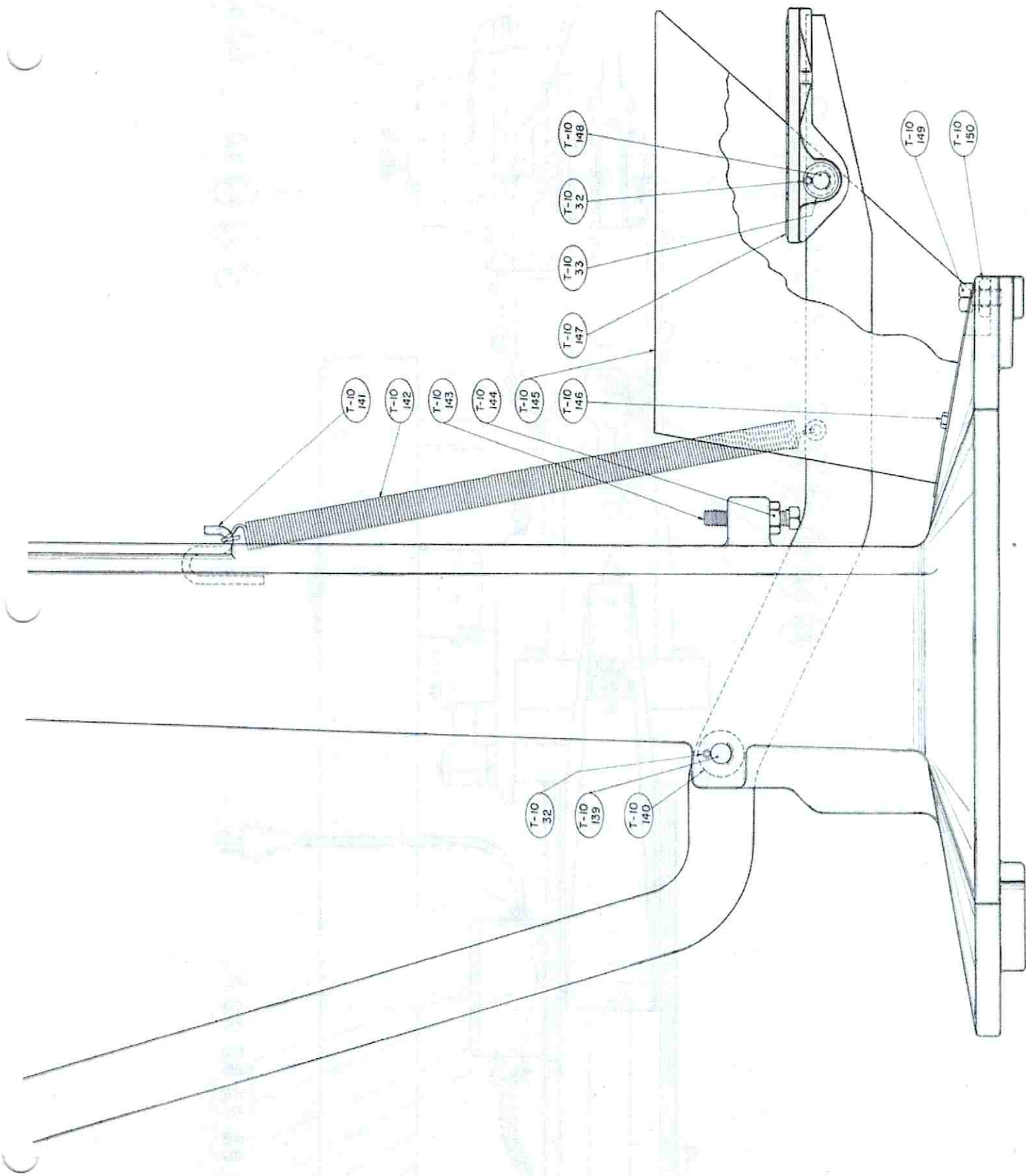
Foot Power  
Electric  
Pneumatic

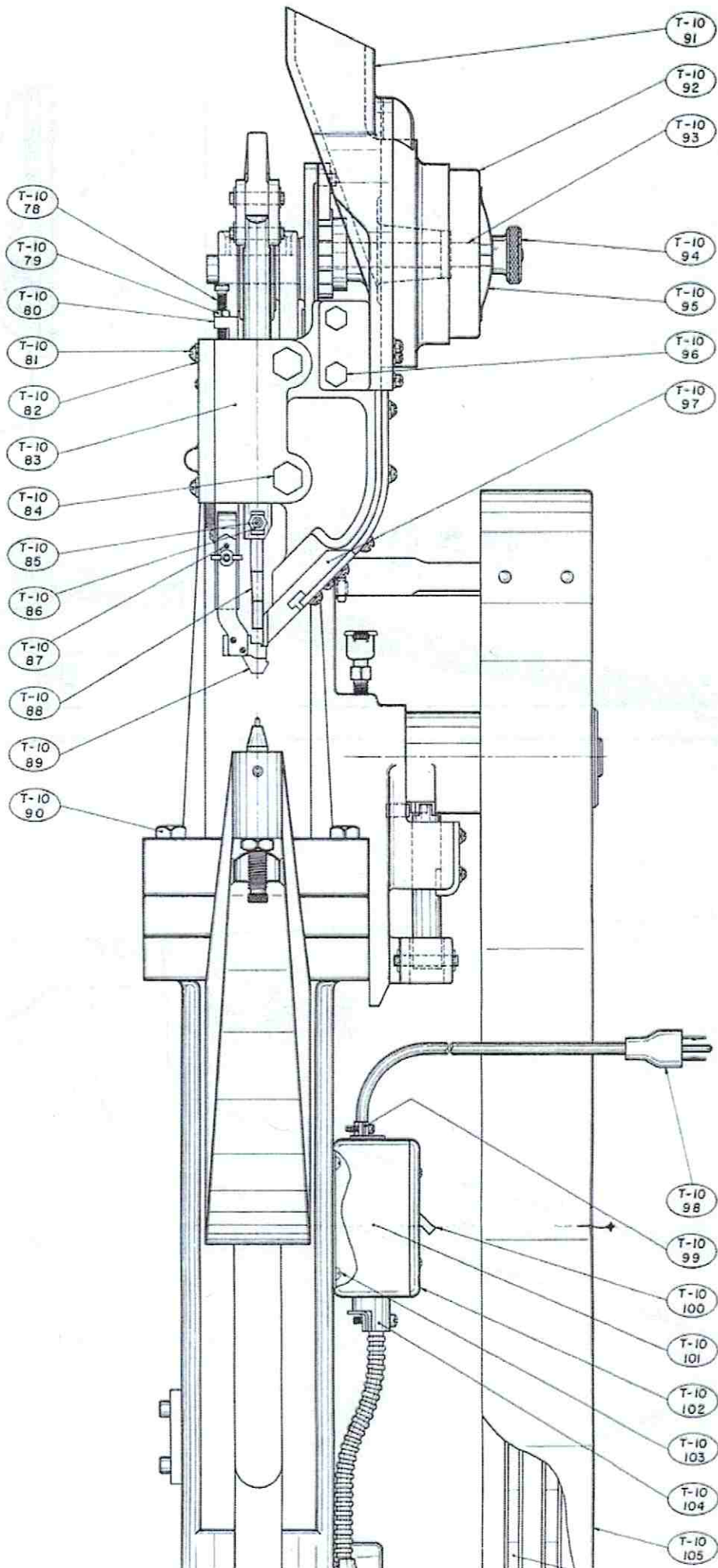
# TYPE 10

Foot Power  
MACHINE

FOR PARTS NOT LISTED  
SEE ELECTRIC MACHINE PARTS LIST (OVER)

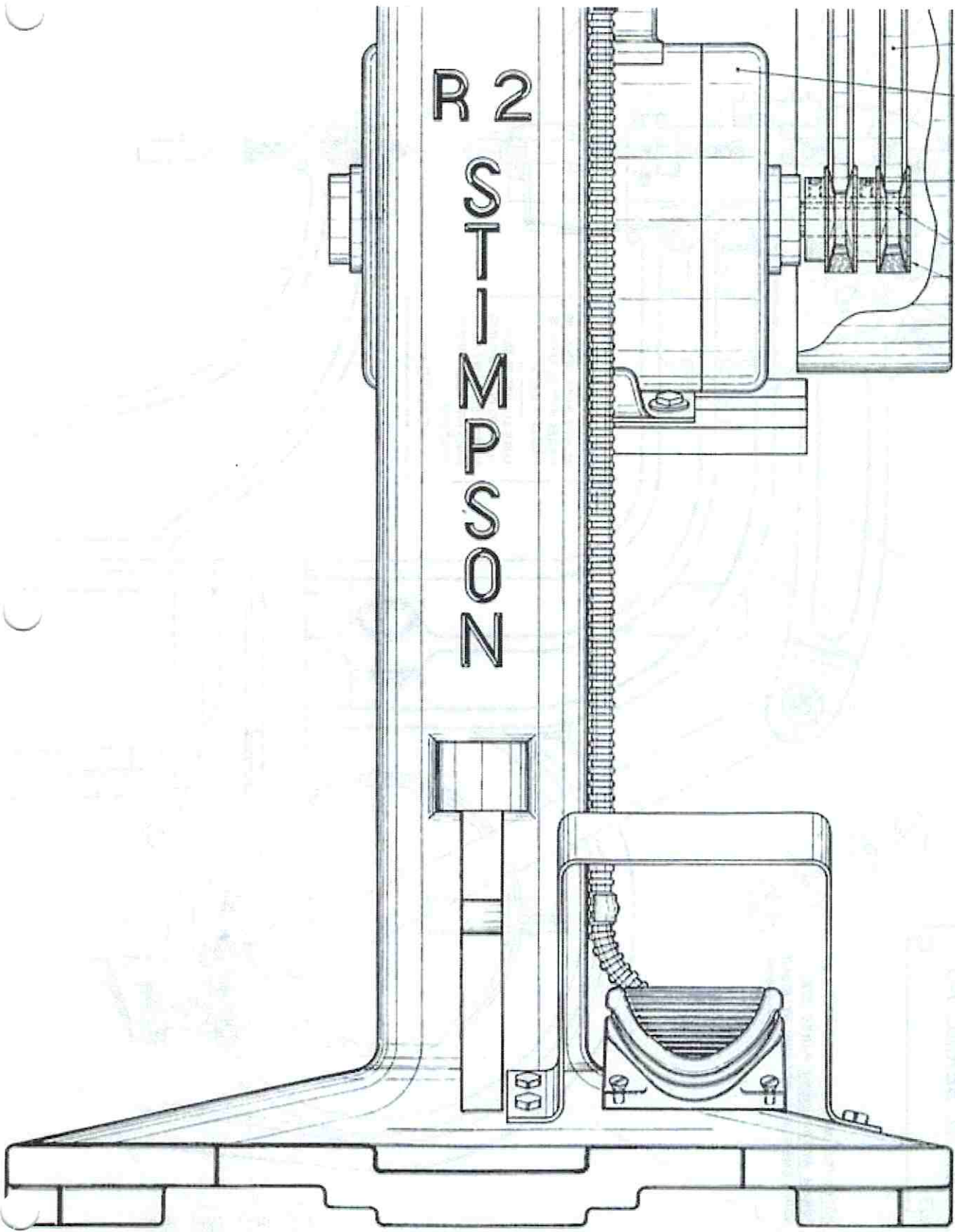






R 2

ZOSM-10S



T-10  
106

T-10  
107

T-10  
108

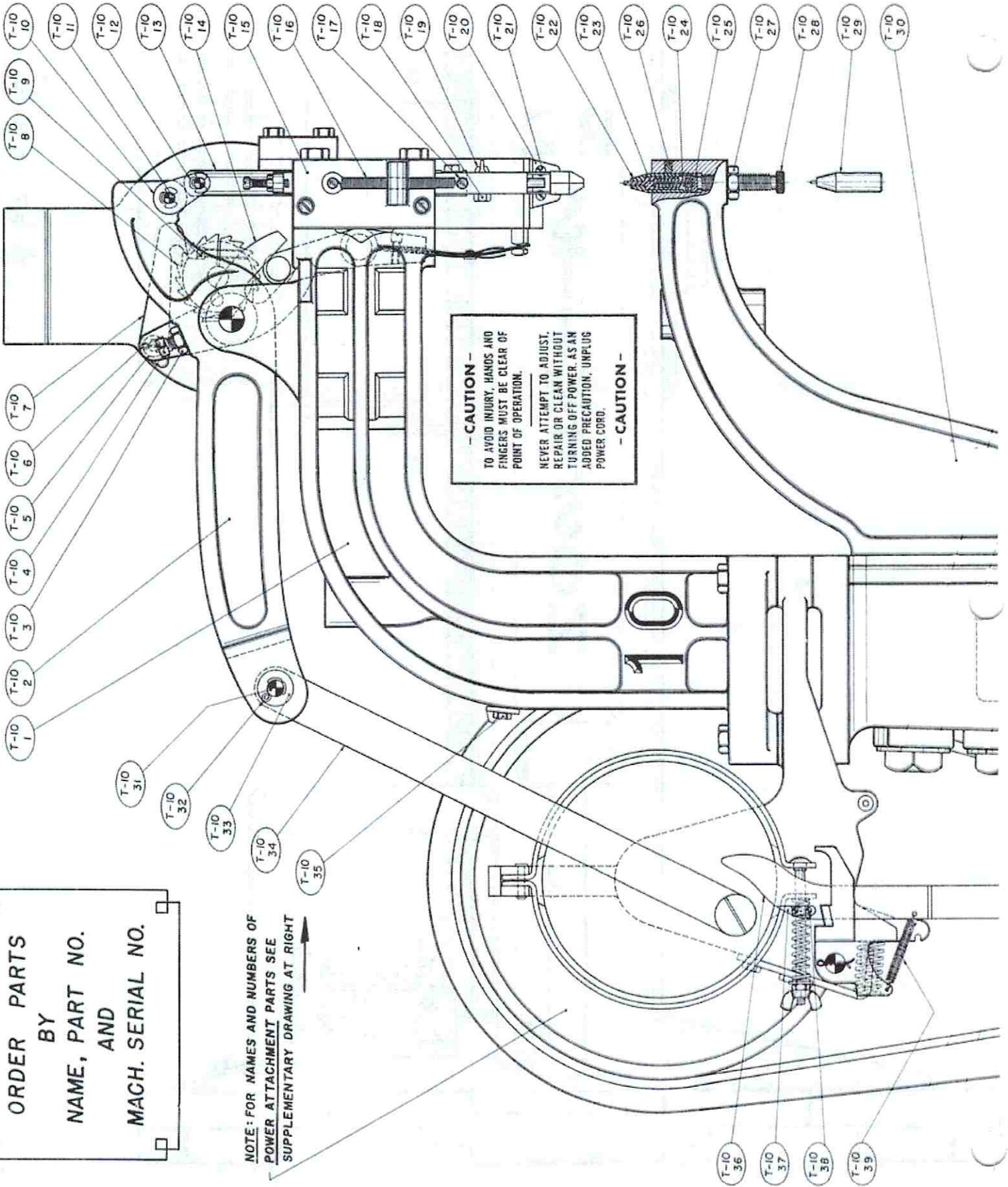
T-10  
109

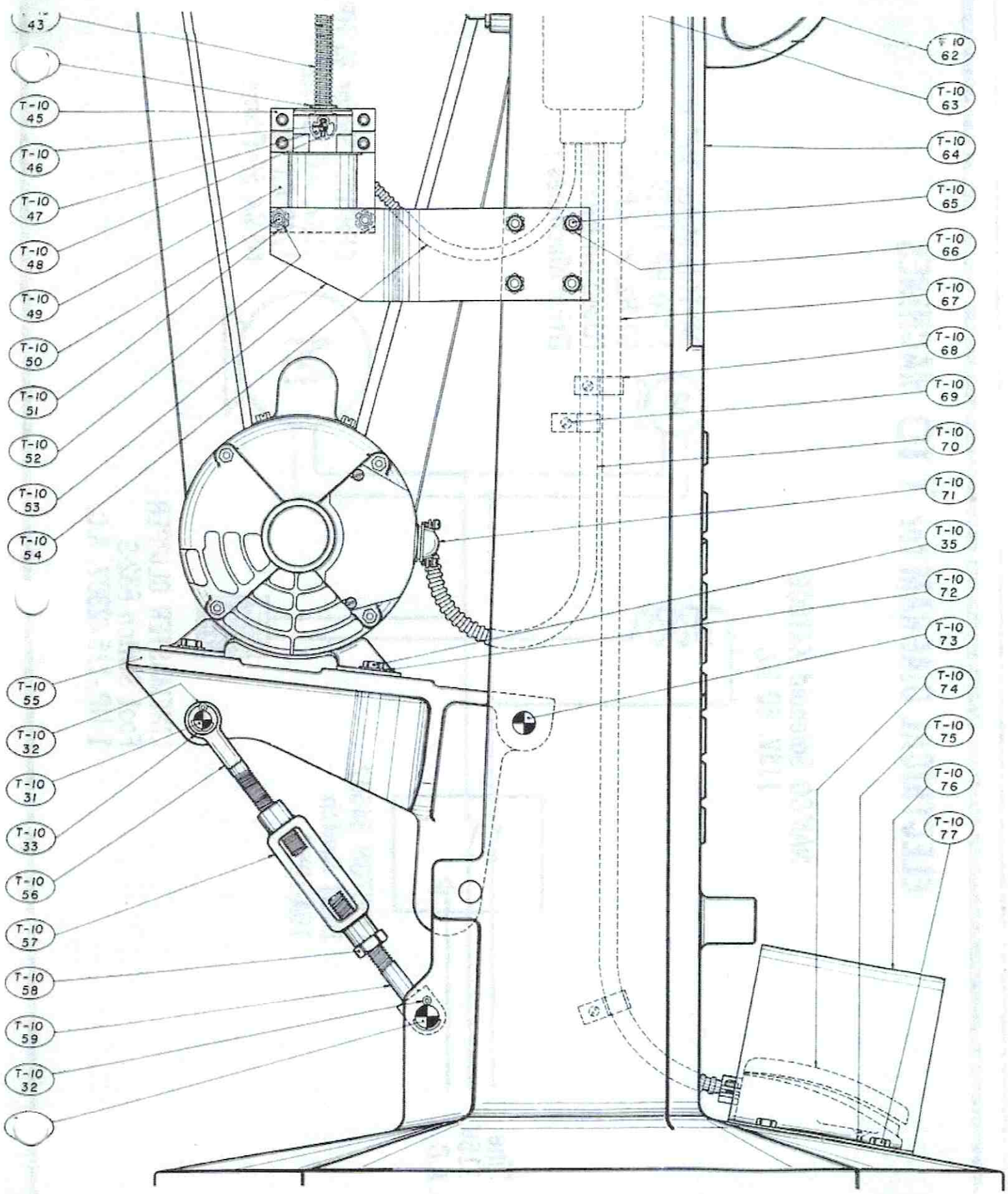
T-10  
110

ORDER PARTS  
BY  
NAME, PART NO.  
AND  
MACH. SERIAL NO.

NOTE: FOR NAMES AND NUMBERS OF  
POWER ATTACHMENT PARTS SEE  
SUPPLEMENTARY DRAWING AT RIGHT

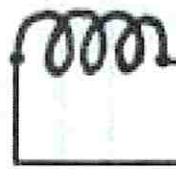
— CAUTION —  
TO AVOID INJURY, HANDS AND  
FINGERS MUST BE CLEAR OF  
POINT OF OPERATION.  
NEVER ATTEMPT TO ADJUST,  
REPAIR OR CLEAN WITHOUT  
TURNING OFF POWER. AS AN  
ADDED PRECAUTION, UNPLUG  
POWER CORD.  
— CAUTION —



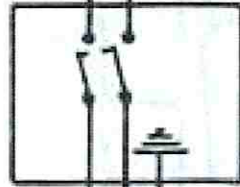


# ELECTRICAL DIAGRAM for T10 MACHINES

NAMCO Solenoid KK100B  
115V. 60 Hz.

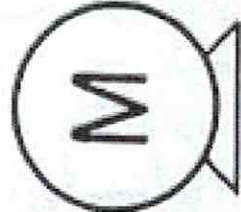


DAYTON Motor 3M102  
1/70 HP. 115V. A.C.  
60 Hz. 25 R.P.M.  
(Used on Box Belt  
Drive Machines.)

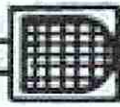


LEVITON 54502  
DPST Switch  
10A-125V

Line  
115V.  
A.C.



CENTURY Motor 1/4 HP.  
110V. A.C. 60 Hz.  
1140 R.P.M.  
NEMA 56 Frame



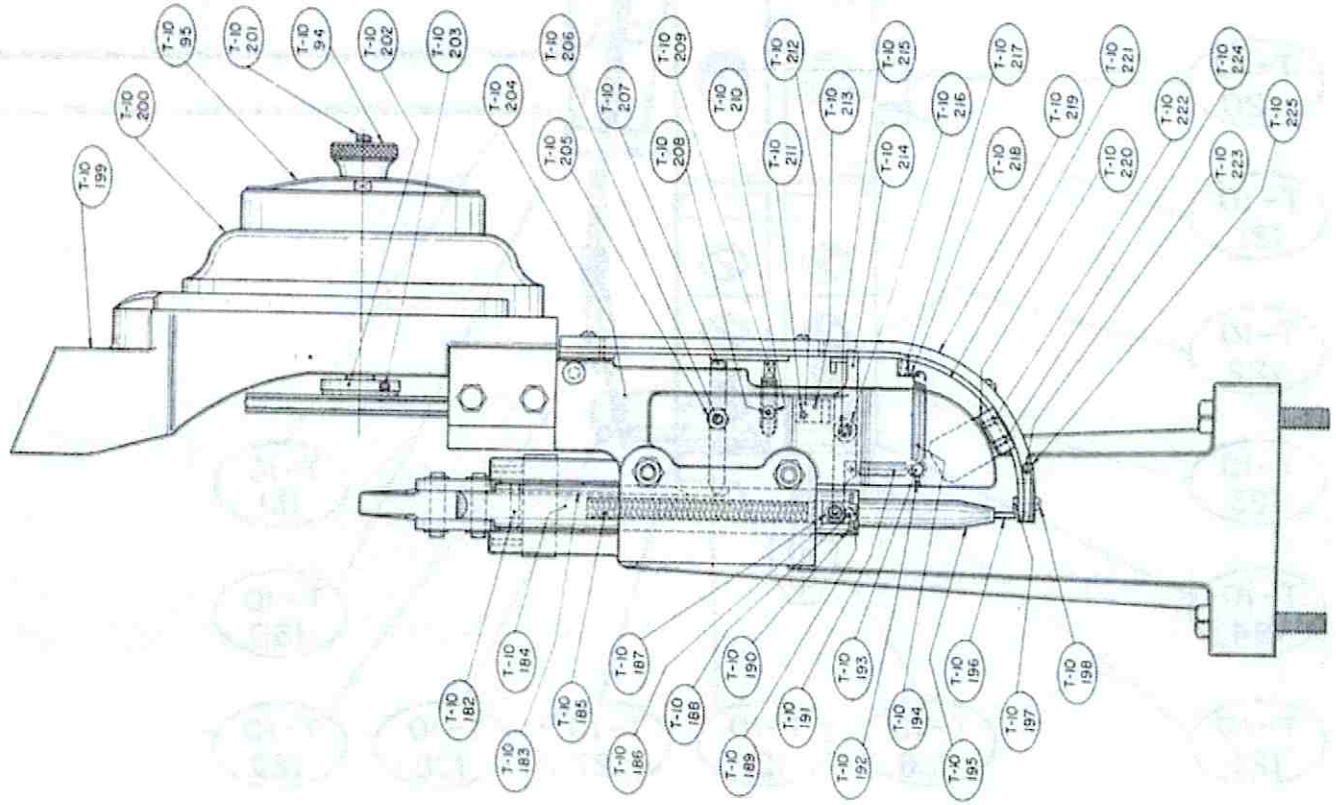
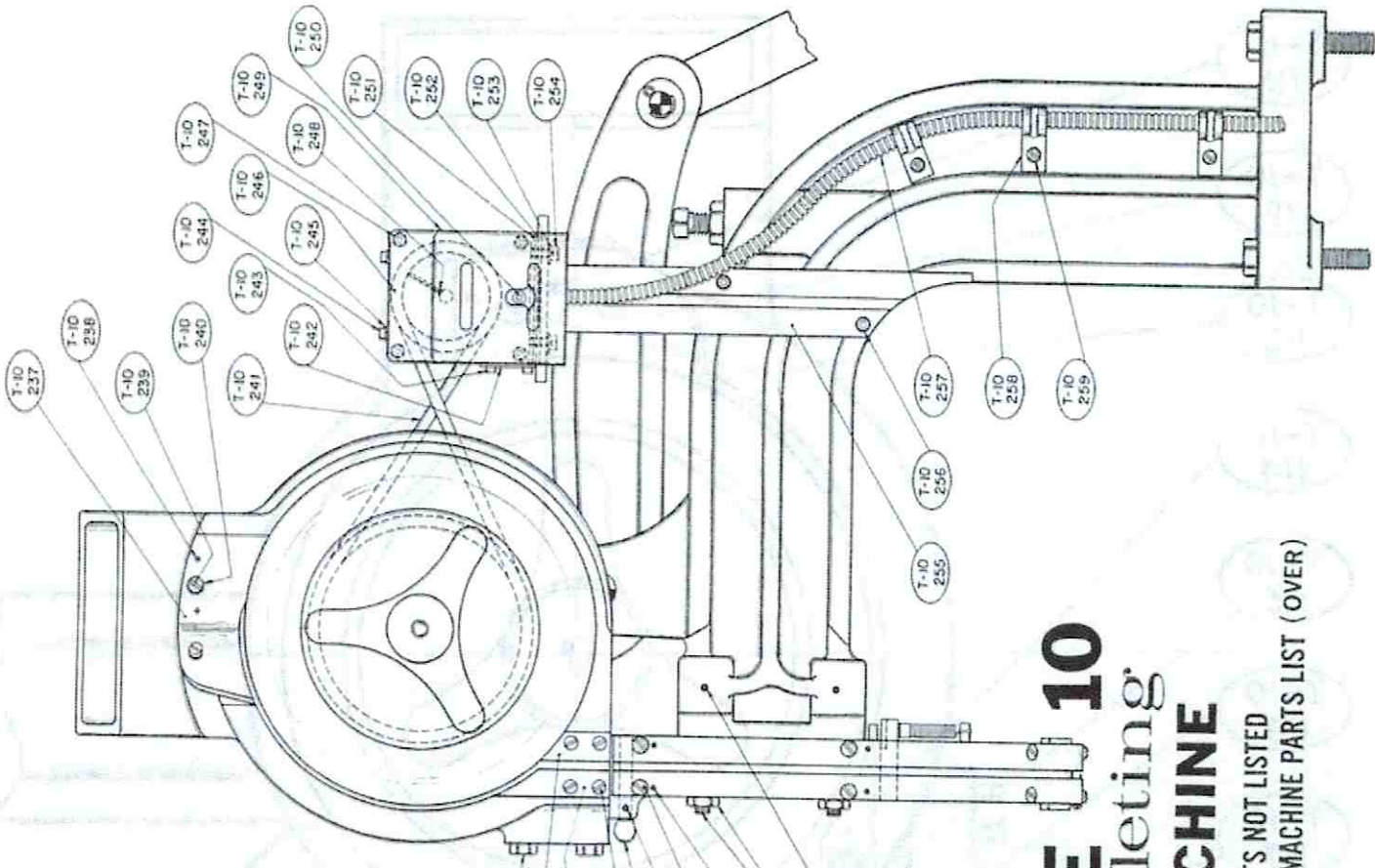
LINEMASTER CLIPPER  
Foot Switch 632-S  
1 HP.-115/230V. A.C.



**— CAUTION —**  
 TO AVOID INJURY,  
 HANDS AND FINGERS  
 MUST BE CLEAR OF  
 POINT OF OPERATION.

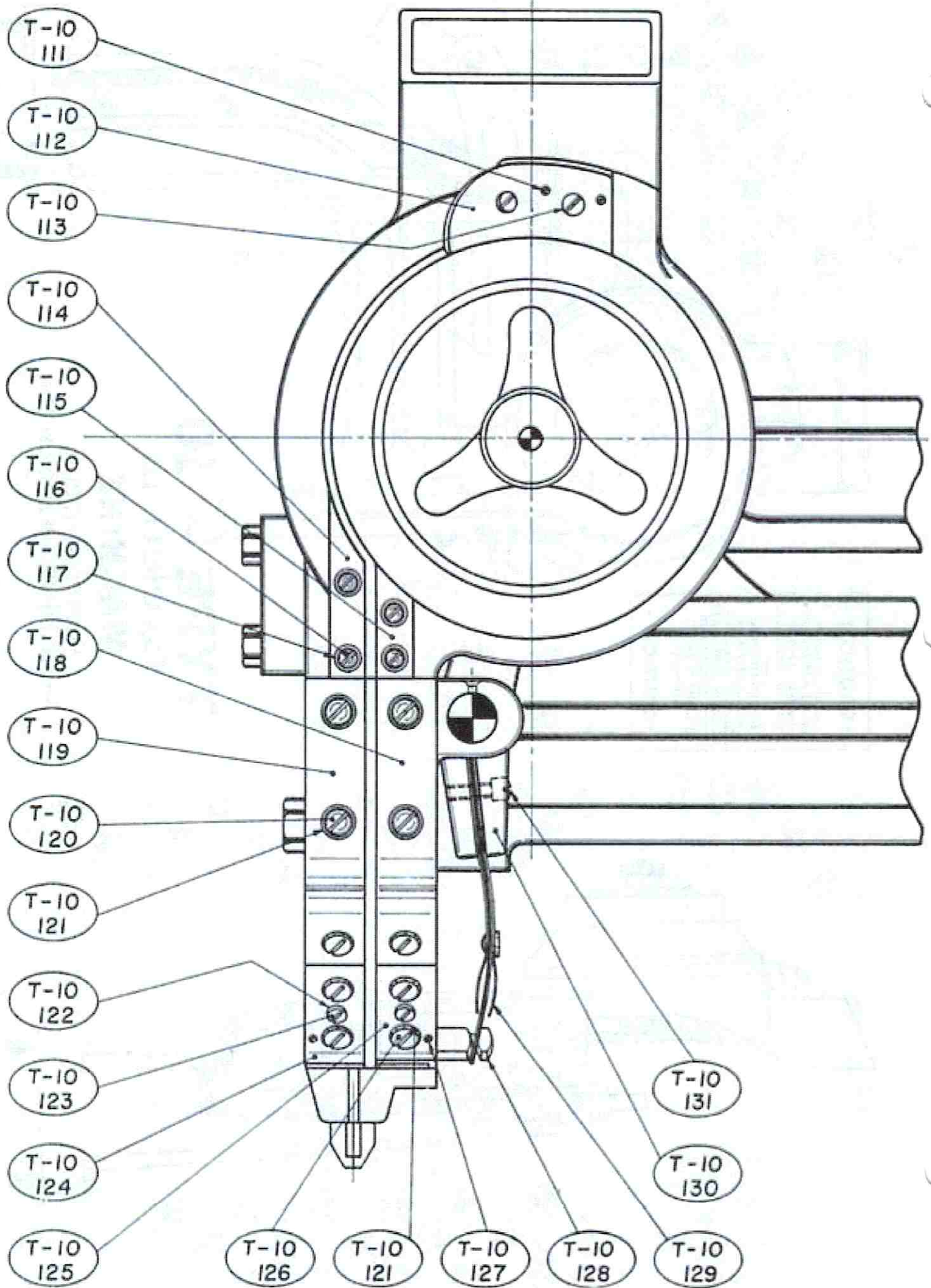
NEVER ATTEMPT TO  
 ADJUST, REPAIR OR  
 CLEAN WITHOUT FIRST  
 DISCONNECTING POWER  
 FROM ELECTRIC AND  
 PNEUMATIC MODEL  
 MACHINES.

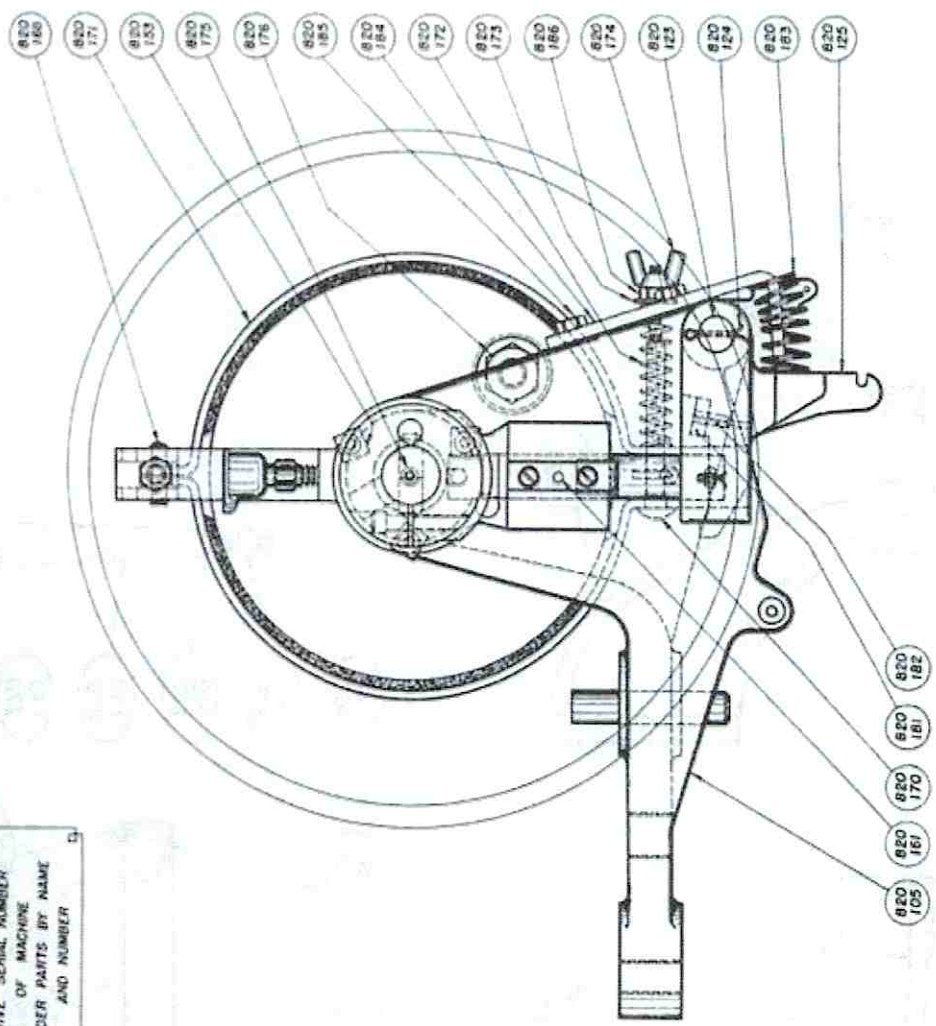
**— CAUTION —**



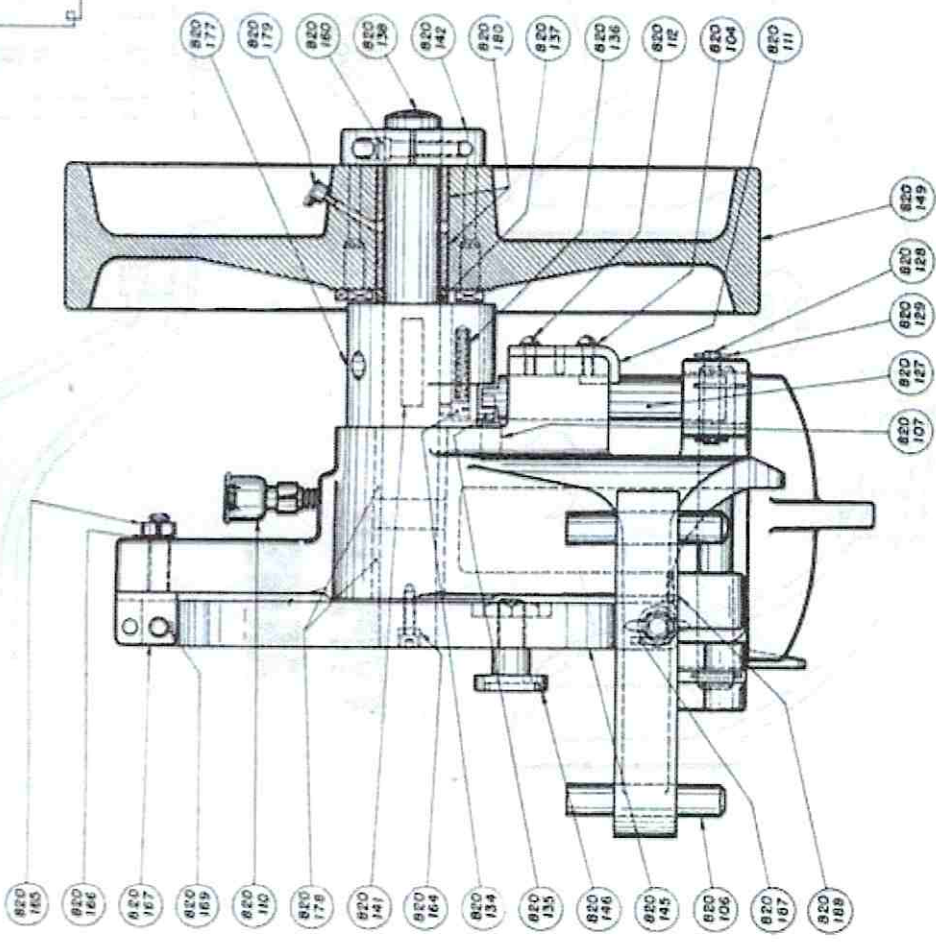
# TYPE 10 Eyeletting MACHINE

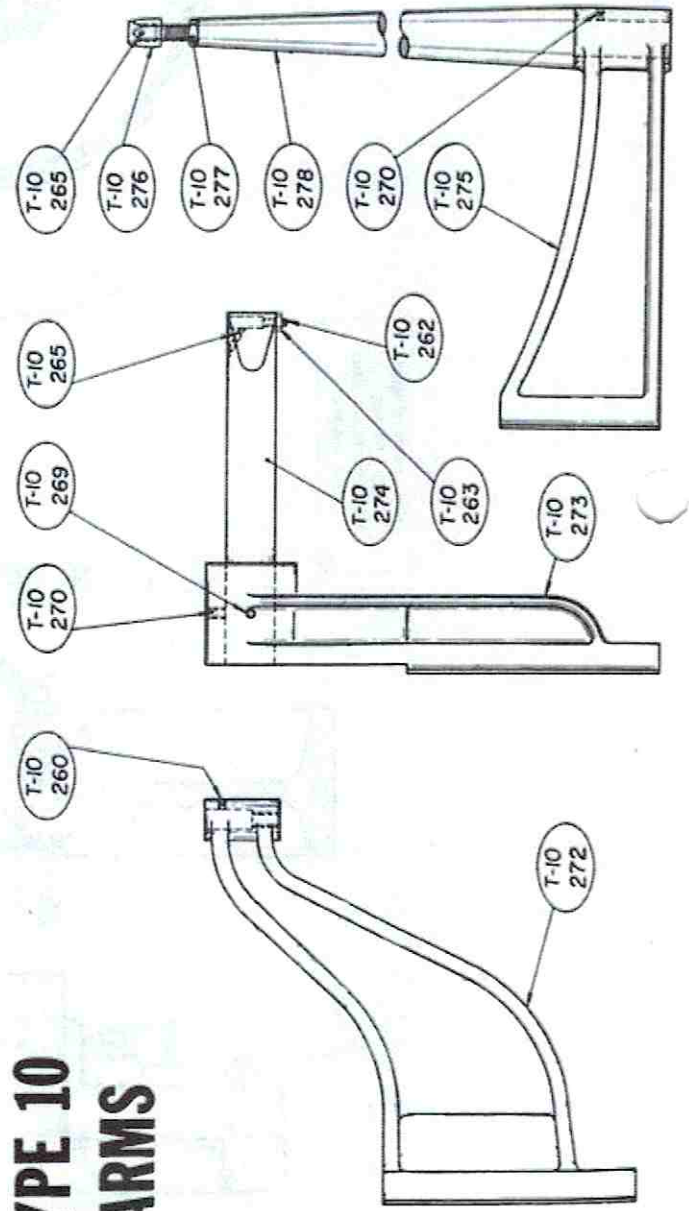
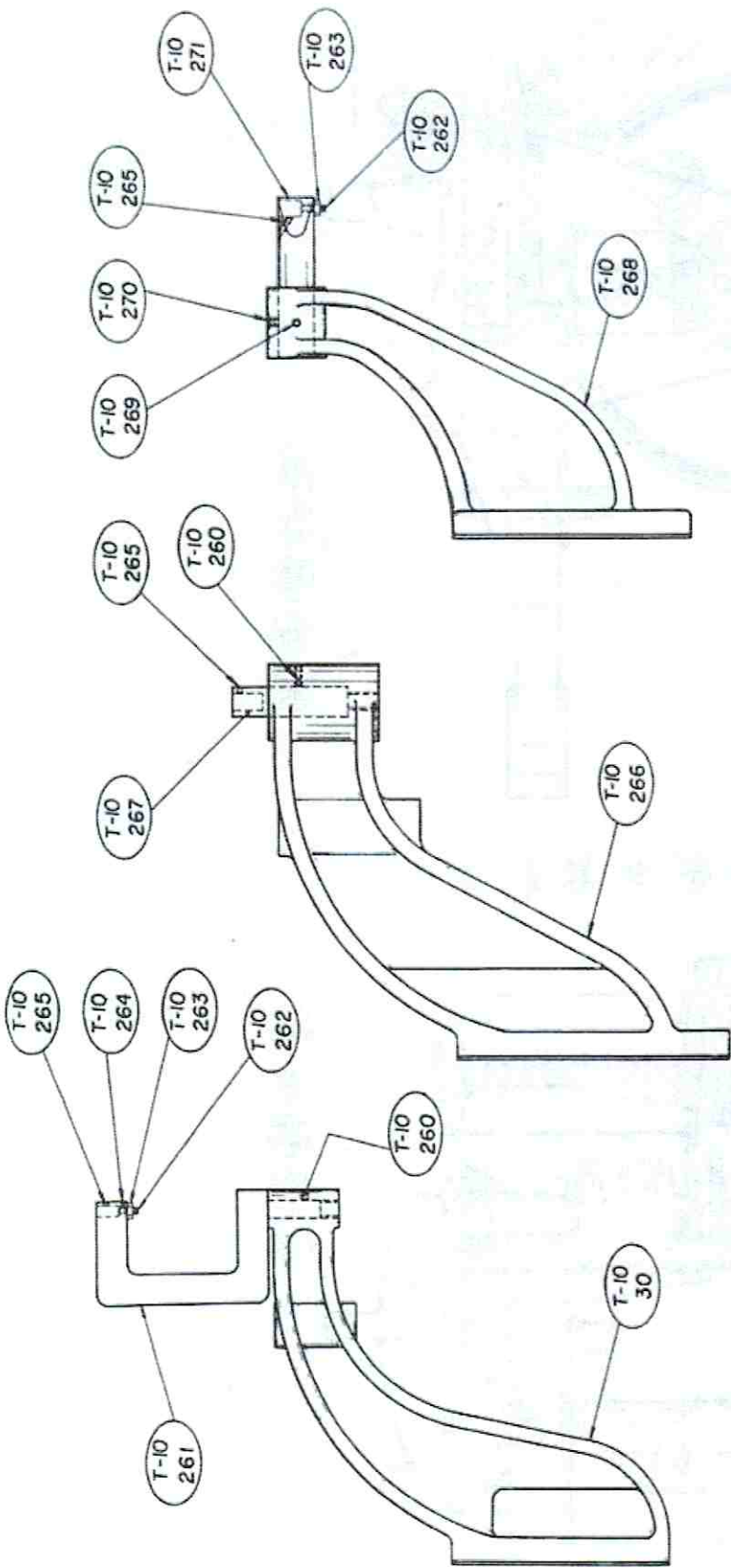
FOR PARTS NOT LISTED  
 SEE ELECTRIC MACHINE PARTS LIST (OVER)





GIVE SERIAL NUMBER  
OF MACHINE  
ORDER PARTS BY NAME  
AND NUMBER





**TYPE 10  
ARMS**

# TYPE 10 Pneumatic MACHINE

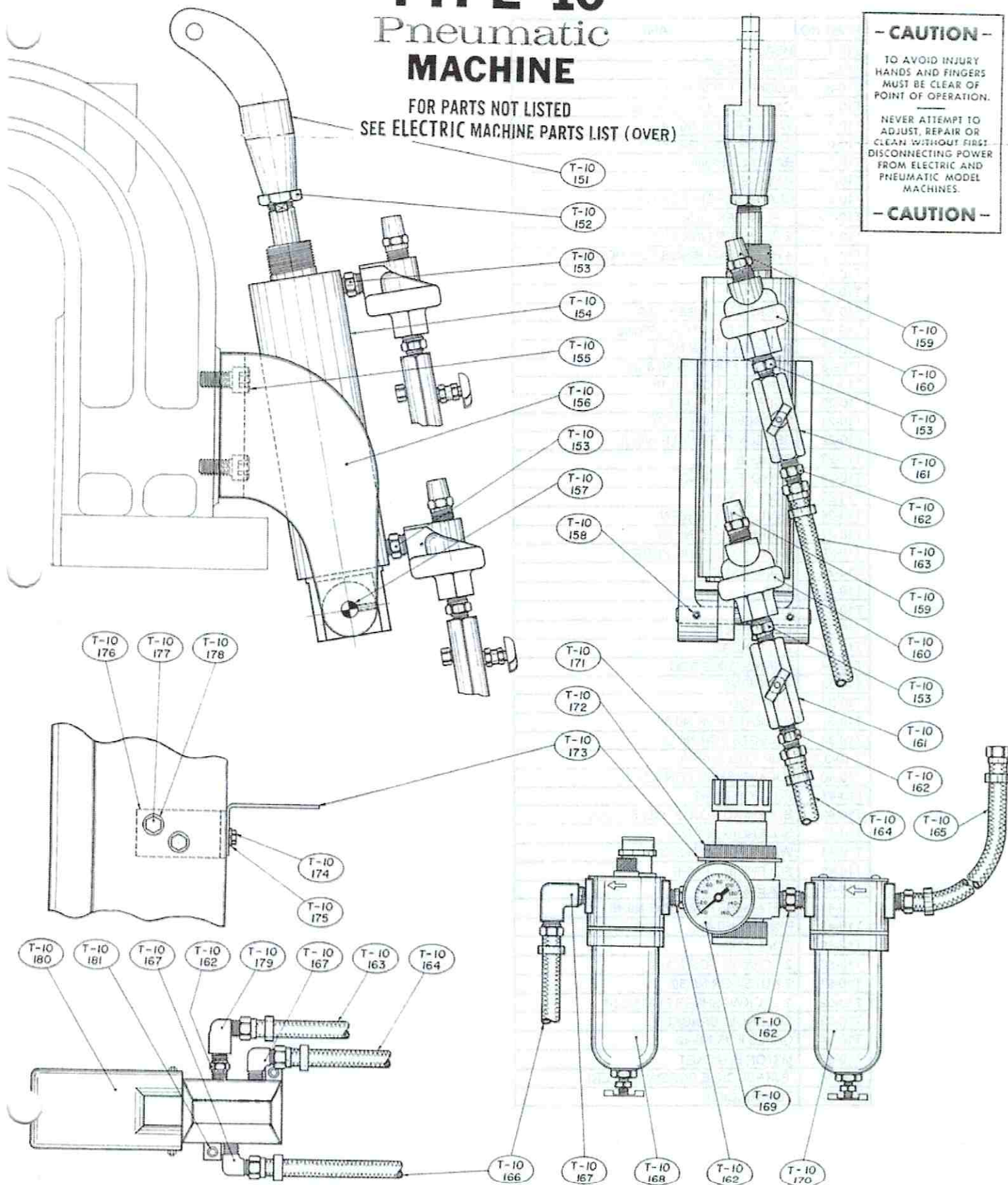
FOR PARTS NOT LISTED  
SEE ELECTRIC MACHINE PARTS LIST (OVER)

**- CAUTION -**

TO AVOID INJURY  
HANDS AND FINGERS  
MUST BE CLEAR OF  
POINT OF OPERATION.

NEVER ATTEMPT TO  
ADJUST, REPAIR OR  
CLEAN WITHOUT FIRST  
DISCONNECTING POWER  
FROM ELECTRIC AND  
PNEUMATIC MODEL  
MACHINES.

**- CAUTION -**



PART NO.	NAME
T10-1	HEAD
T10-2	HEAD LEVER
T10-3	LOCKNUT FOR N0.4
T10-4	CAM STUD LOCKSCREW
T10-5	WASHER FOR N0.14
T10-6	COTTER PIN FOR N0.14
T10-7	RATCHET PAWL
T10-8	RATCHET
T10-9	CLAMP SCREW FOR N0.8
T10-10	2 PLUNGER LINKS
T10-11	2 PLUNGER LINK PINS
T10-12	4 RETAINING RINGS FOR NOS.10 & 11
T10-13	PLUNGER
T10-14	CAM STUD
T10-15	POCKET PLUNGER CAP
T10-16	POCKET PLUNGER SPRING
T10-17	2 SCREWS FOR N0.16
T10-18	SCREW FOR NOS.80 & 89
T10-19	WING NUT FOR N0.18
T10-20	NOSE PIECE PLATE
T10-21	2 SCREWS FOR N0.20
T10-22	RECEDING SPINDLE ANVIL
T10-23	SPINDLE
T10-24	SPINDLE SPRING
T10-25	ANVIL SCREW
T10-26	ANVIL LOCK SCREW
T10-27	LOCKNUT FOR N0.28
T10-28	ANVIL ADJUSTING SCREW
T10-29	SOLID ANVIL
T10-30	ARM
T10-31	PIN
T10-32	2 COTTER PINS
T10-33	2 WASHERS
T10-34	CONNECTING ROD
T10-35	4 SCREWS
T10-36	TRIP ROD
T10-37	2 CLEATS FOR N0.36
T10-38	2 RIVETS FOR N0.37
T 10-3.9	TRIP ROD SPRING
T10-40	LOCKWASHER FOR N0.41
T10-41	NUT FOR N0.42
T10-42	SOLENOID ADJUSTING SCREW
T10-43	SOLENOID SPRING
T10-44	WASHER FOR N0.43
T10-45	SOLENOID COVER
T10-46	SOLENOID PIN
T10-47	RETAINING RING FOR N0.46
T10-48	PIN FOR N0.46
T10-49	SOLENOID
T10-50	2 SCREWS FOR N0.49
T10-51	2 NUTS FOR N0.50
T10-52	2 LOCKWASHERS FOR N0.51
T10-53	SOLENOID BRACKET
T10-54	CABLE FOR N0.49
T10-55	M3TOR BRACKET
T10-56	TURNBUCKLE SCREW (UPPER)
T10-57	TURNBUCKLE

T10-58	LOCKNUT FOR N0.59
T10-59	TURNBUCKLE SCREW (LOWER)
T10-60	FULCRUM PIN
T10-61	2 ARM FASTENING BOLTS
T10-62	2 ARM CLAMPS
T10-63	2 WASHERS FOR N0.61
T10-64	STAND
T10-65	4 SCREWS FOR N0.53
T10-66	4 NUTS FOR N0.65
T10-67	CABLE FOR N0.74
T10-68	3 CABLE CLAMPS
T10-69	3 SCREWS FOR N0.68
T10-70	CABLE FOR N0.107
T10-71	CABLE CONNECTOR FOR N0.107
T10-72	4 WASHERS
T10-73	MOTOR BRACKET FULCRUM PIN
T10-74	FOOT SWITCH
T10-75	2 SCREWS FOR N0.74
T10-76	GUARD FOR N0.74
T10-77	4 SCREWS FOR N0.76
T10-78	ADJUSTING SCREW FOR N0.80
T10-79	LOCKNUT FOR N0.78
T10-80	POCKET PLUNGER

PART NO.	NAME
T10-81	2 SCREWS FOR N0.15
T10-82	2 LOCKWASHERS FOR N0.81
T10-83	FRONT PIECE
T10-84	2 FASTENING SCREWS FOR N0.83
T10-85	SET SCREW FOR N0.88
T10-86	LOCKNUT FOR N0.85
T10-87	POCKET SPRING PIN
T10-88	DRIVING-STEM
T10-89	POCKETS
T10-90	3 HEAD FASTENING SCREWS
T10-91	BOX CARRIER
T10-92	BOX
T10-93	BOX STUD
T10-94	BOX NUT
T10-95	BOX SPRING
T10-96	2 SCREWS FOR NO. 91

T10-97	NOSE PIECE
T10-98	POWER CORD
T10-99	POWER CORD CONNECTOR
T10-100	SWITCH
T10-101	SWITCH BOX
T10-102	SWITCH COVER
T10-103	2 SCREWS FOR N0.101
T10-104	CABLE CONNECTOR FOR NOS.54.67 & 70
T10-105	BELT GUARD
T10-106	2 V-BELTS
T10-107	MOTOR
T10-108	2 SET SCREWS FOR N0.109
T10-109	KEY FOR N0.110
T10-110	2 MOTOR PULLEYS
T10-111	2 PINS FOR N0.112
T10-112	STRIPPER SHIELD
T10-113	2 SCREWS FOR N0.112
T10-114	LEFT CARRIER STRIP
T10-115	RIGHT CARRIER STRIP
T10-116	4 SCREWS FOR NOS.114 & 115
T10-117	4 LOCKWASHERS FOR N0.116
T10-118	RIGHT STRIP FOR N0.83
T10-119	LEFT STRIP FOR N0.83
T10-120	6 SCREWS FOR NOS.118 & 119
T10-121	10 LOCKWASHERS
T10-122	2 LOCKWASHERS FOR N0.123
T10-123	2 SCREWS FOR NOS. 124 & 125
T10-124	LEFT STRIP FOR N0.97
T10-125	RIGHT STRIP FOR N0.97
T10-126	4 SCREWS FOR N0.97
T10-127	2 PINS FOR NOS.97.124 & 125
T10-128	CUT-OFF
T10-129	CUT-OFF SPRING (ASSEMBLED)
T10-130	CUT-OFF LEVER
T10-131	SCREW FOR NOS.129 &130
T10-132	LOCKNUT FOR N0.133
T10-133	HEAD LEVER ADJUSTING SCREW
T10-134	3 HEAD FASTENING SCREWS
T10-135	2 PINS FOR NOS 1 & 64
T10-136	BACKBONE
T10-137	PIN
T10-138	TREADLE
T10-139	PIN
T10-140	SPACERS
T10-141	TREADLE SPRING HOOK
T10-142	TREADLE SPRING
T10-143	TREADLE ADJUSTING SCREW
T10-144	LOCKNUT FOR N0.143
T10-145	FOOT TREADLE GUARD
T10-146	2 SCREWS FOR N0.145
T10-147	TREADLE PAD
T10-148	PIN FOR N0.147
T10-149	TREADLE STOP SCREW
T10-150	LOCKNUT FOR N0.149
T10-151	CYLINDER CONNECTING ROD
T10-152	LOCKNUT FOR N0.151
T10-153	HEXAGON NIPPLE
T10-154	CYLINDER
T10-155	2 SCREWS FOR N0.156



T10-156	CYLINDER BRACKET
T10-157	PIN FOR NOS.154 & 156
T10-158	2 SET SCREWS FOR NO.157
T10-159	MUFFLER
T10-160	QUICK EXHAUST
T10-161	FLOW CONTROL VALVE
T10-162	HEXAGON NIPPLE
T10-163	UPPER CYLINDER HOSE
T10-164	LOWER CYLINDER HOSE
T10-165	SUPPLY HOSE
T10-166	HOSE FOR NOS.168 & 180
T10-167	ELBOW
T10-168	AIR LUBRICATOR
T10-169	PRESSURE GAUGE WITH NO.171
T10-170	AIR FILTER
T10-171	PRESSURE REGULATOR WITH NO.169
T10-172	LOCKNUT FOR NOS.171 & 173
T10-173	FIL-REG.-LUB. GAUGE BRACKET
T10-174	2 SCREWS FOR NO.173
T10-175	2 LOCKWASHERS FOR NO.174
T10-176	BRACKET FOR NO.173
T10-177	4 SCREWS FOR NO.176
T10-178	4 LOCKWASHERS FOR NO.177
T10-179	STREET ELBOW
T10-180	FOOT VALVE

PART NO.	NAME
T10-181	2 SCREWS FOR NO.180
T10-182	PIN FOR NOS.183 & 184
T10-183	PLUNGER CAM
T10-184	PLUNGER
T10-185	TOP SET SPINDLE SPRING
T10-186	SCREWS FOR NO.189
T10-187	LOCKNUT FOR NO.186
T10-188	LATCH LIFT STUD
T10-189	TOP SET LOCK PLATE
T10-190	TOP SET LOCK KEY
T10-191	LATCH RETURN SPRING
T10-192	LOCK SCREW FOR NO.193
T10-193	LATCH RETURN SPRING STUD
T10-194	ROADWAY RETURN SPRING
T10-195	TOP SET
T10-196	TOP SET SPINDLE
T10-197	2 LOCKNUTS FOR NO.198

T10-198	2 SCREWS FOR N0.197
T10-199	CARRIER
T10-200	BOX
T10-201	BOX STUD
T10-202	BOX DRIVE PULLEY
T10-203	SCREW FOR N0.202
T10-204	FRONT PIECE
T10-205	LOCKNUT FOR N0.206
T10-206	GUIDE SCREW FOR N0.207
T10-207	ROADWAY THROWOUT PIN
T10-208	LOCK SCREW FOR N0.209
T10-209	ROADWAY ADJUSTMENT STUD
T10-210	LOCKNUT FOR N0.208
T10-211	LATCH STOP FASTENING SCREW
T10-212	LATCH STOP
T10-213	PIN FOR N0.212
T10-214	LATCH
T10-215	WASHER FOR N0.216
T10-216	LATCH FULCRUM STUD
T10-217	2 SCREWS FOR N0.218
T10-218	BRACKET FOR N0.194
T10-219	2 ROADWAY STRIPS
T10-220	ROADWAY GUIDE
T10-221	BEDPLATE
T10-222	2 SCREWS FOR N0.220
T10-223	FINGER SPRING
T10-224	2 PINS FOR N0.220
T10-225	SCREW FOR N0.223
T10-226	2 CARRIER FASTENING SCREWS
T10-227	RIGHT CARRIER STRIP
T10-228	LEFT CARRIER STRIP
T10-229	4 SCREWS FOR NOS.227 & 228
T10-230	ROADWAY HOLDING PIN
T10-231	LOCK SCREW FOR N0.230
T10-232	6 SCREWS FOR NOS.219 & 221
T10-233	6 PINS FOR NOS. 219 & 221
T10-234	2 STUDS FOR N0.204
T10-235	2 LOCKNUTS FOR N0.234
T10-236	2 LOCK SCREWS FOR N0.234
T10-237	STRIPPER SHIELD
T10-238	2 PINS FOR N0.237
T10-239	2 SCREWS FOR N0.237
T10-240	2 LOCKWASHERS FOR N0.239
T10-241	BOX-DRIVE BELT
T10-242	MOTOR COVER BRACKET
T10-243	2 SCREWS FOR N0.242
T10-244	2 SCREWS FOR N0.249
T10-245	2 LOCKWASHERS FOR N0.244
T10-246	MOTOR PULLEY
T10-247	4 MOTOR MOUNTING SCREWS
T10-248	SET SCREW FOR N0.246
T10-249	MOTOR COVER
T10-250	MOTOR
T10-251	MOTOR BRACKET
T10-252	KEY FOR NOS.251 & 255
T10-253	2 WASHERS FOR N0.254
T10-254	2 SCREWS FOR N0.251
T10-255	SUPPORT BRACKET FOR N0.250
T10-256	2 SCREWS FOR N0.255
T10-257	CABLE FOR N0.250
T10-258	3 CABLE CLAMPS

T10-259	3 SCREWS FOR N0.258
T10-260	LOCK SCREW
T10-261	GOOSENECK ANVIL
T10-262	ADJUSTMENT SCREW
T10-263	LOCKNUT FOR N0.262
T10-264	LOCK SCREW FOR N0.262
T10-265	LOCK SCREW FOR BOTTOM SET
T10-266	HEAVY DUTY CURVED ARM
T10-267	STRAIGHT BOTTOM SET HOLDER
T10-268	CURVED ARM FOR STEEL ARM
T10-269	PIN
T10-270	LOCK SCREW
T10-271	SHORT STEEL ARM FOR N0.268
T10-272	PIGEON NECK ARM
T10-273	STRAIGHT ARM FOR STEEL ARM
T10-274	STEEL ARM FOR N0.273
T10-275	POST ARM
T10-276	ADJUSTABLE BOTTOM SET HOLDER
T10-277	LOCKNUT FOR N0.276
T10-278	POST

NO.	NAME	NO.	NAME
820-104	2 LOCKWASHERS FOR NO.820-112	820-164	LOCKING KEY FOR NO.820-138
820-105	POWER BRACKET	820-165	LOCKNUT FOR NO.820-167
820-106	2 DOWEL PINS FOR NO.820-105	820-166	LOCKWASHER FOR NO.820-165
820-107	CLUTCH KEY STOP PIN	820-167	BRAKE STUD
820-110	OIL CUP FOR NO.820-105	820-168	STUD FOR NO.820-171
820-111	CLUTCH FINGER STOP	820-169	RETAINING RING FOR NO.820-168
820-112	2 SCREWS FOR NO.S 820-105 a 820-111	820-170	BRAKE ADJUSTING BOLT
820-123	FULCRUM PIN FOR NO.820-125	820-171	BRAKE BANDS ASSEMBLY
820-124	2 COTTER PINS FOR NO.820-123	820-172	SPRING FOR NO.820-170
820-125	FORK LEVER	820-173	WASHER FOR NO.820-172
820-127	CLUTCH FIN6ER	820-174	WING NUT FOR NO.820-170
820-128	CLUTCH FIN6ER PIN	820-175	SCREW FOR NO.820-164
820-129	2 COTTER PINS FOR NO.820-128	820-176	LOCKNUT FOR NO.820-146
820-134	STOP SCREW FOR NO.820-136	820-177	CLUTCH
820-135	CLUTCH KEY	820-178	2 BUSHINGS FOR NO.S 820-1058820-138
820-136	CLUTCH KEY SPRING	820-179	OIL CUP FOR NO.820-149
820-137	SPACE RING	820-180	2 BUSHINGS FOR NO.820-149
820-138	MAIN SHAFT	820-181	2 PADS FOR NO.820-125
820-141	WOODRUFF KEY FOR NO.S 820-177 a 820-138	820-182	2 PINS FOR NO.820-181
820-142	END COLLAR	820-183	FORK LEVER SPRING
820-145	POWER DISC	820-184	BRACKET FOR NO.820-183
820-146	CONNECTING ROD STUD	820-185	2 SCREWS FOR NO.820-184
820-149	FLYWHEEL	820-186	ADJUSTING NUT FOR NO.820-172
820-153	3 PULLEY PINS	820-187	RETAINING STUD FOR NO.820-170
820-160	LOCK SCREW FOR NO.820-142	820-188	LOCKNUT FOR NO.820-187
820-161	PIN FOR NO.820-11)		